



ARROWSTONE

architectural cast stone

2019 PRODUCT CATALOG





ARROWSTONE

architectural cast stone

1  **PIER CAPS**

2  **PLAQUES**

3  **BANDS**

4  **WATERTABLES**

5  **COPING**

6  **SURROUNDS**

7  **SILLS**

8  **COLUMNS**

9  **BALUSTRADE**

10  **KEYSTONES**

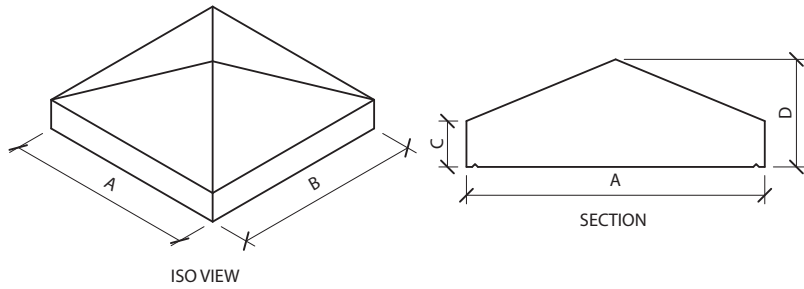
ARROWSTONE ALSO ENCOURAGE PROJECT SPECIFIC DESIGNS AS WELL AS CUSTOM PROFILES AND SHAPES THAT MAY NOT BE LISTED IN THIS CATALOG.



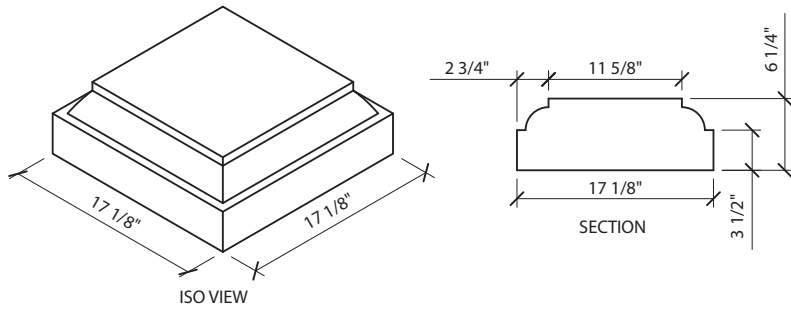
PIER CAPS



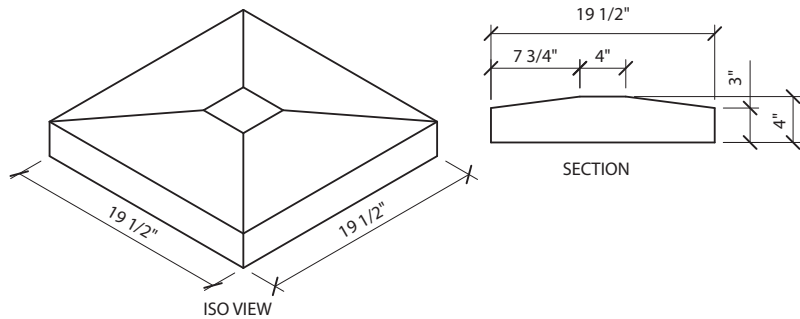
P-0600T



P-0611C



P-0612C

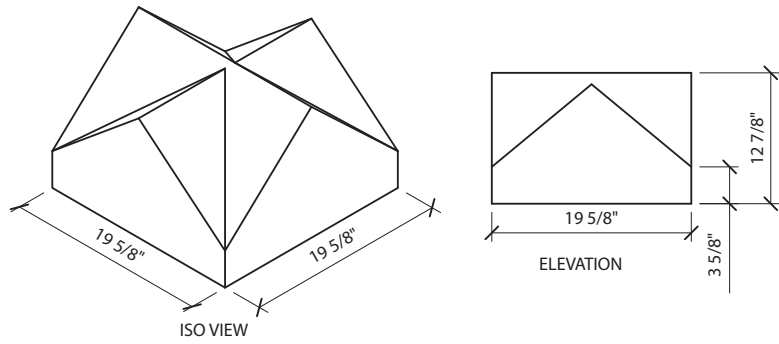


Pier Caps

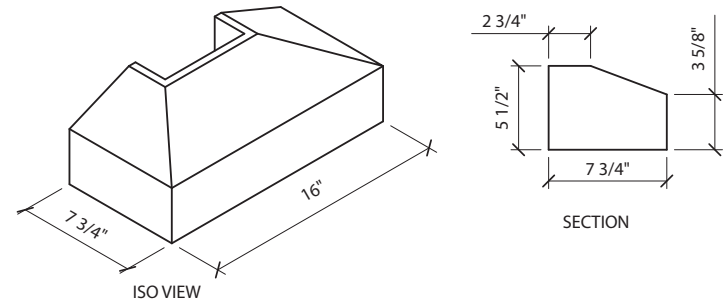
CAT. NO.	A	B	C	D	lbs/ea
P-0600	26	26	4	9 3/8	294
P-0602	16	16	3 5/8	7	102
P-0603	18	18	3 5/8	7 3/4	121
P-0604	14	14	3 5/8	6	61
P-0605	22	22	4 1/8	8 7/8	236
P-0606	24	24	3 5/8	8 5/8	229
P-0607	36	36	4 1/2	12	680
P-0608	28	28	3 5/8	9 1/2	328
P-0609	12	12	2 3/4	5 1/4	39
P-0610	44	44	5 3/4	15 3/8	1,301
P-0635	20	20	3 5/8	8 3/8	156
P-0650	24	24	6	8	304
P-0660	48	48	6	17	1,671
PC-B7	18	18	3	4 1/4	84
PC-C12	21	12	4	6	144
PC-D4	32	32	4	10 5/8	560
PC-D5	26	18	4	6	175
PC-D6	26	26	4	6	253
PC-D7	28	28	4	6	175
PC-E1	16	16	3	3 5/8	64
PC-E6	26	26	3 1/2	4	190
PC-E8	16	16	3 5/8	3 5/8	69
PC-F22	26	26	3	4	177
PC-G1	15 5/8	15 5/8	5 3/4	9 3/8	128
PC-G2	36	40	6	8	756
PC-G3	36	52	6	8	982



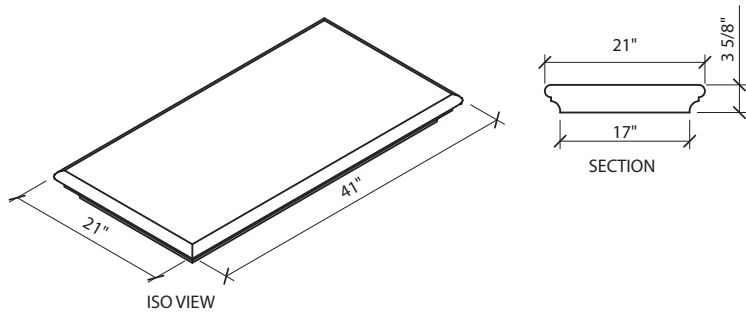
P-0613C



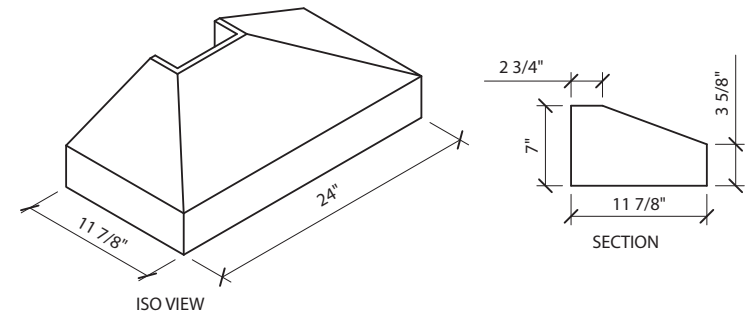
P-0620C



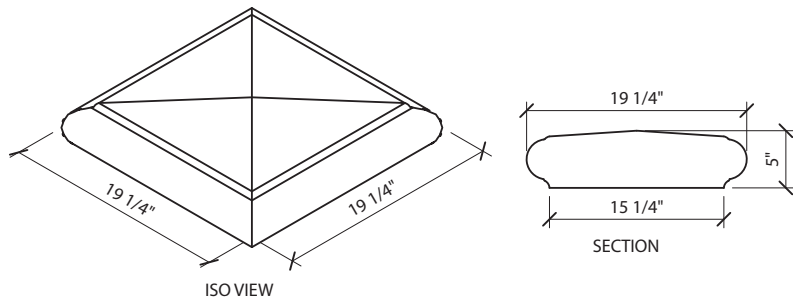
P-0614C



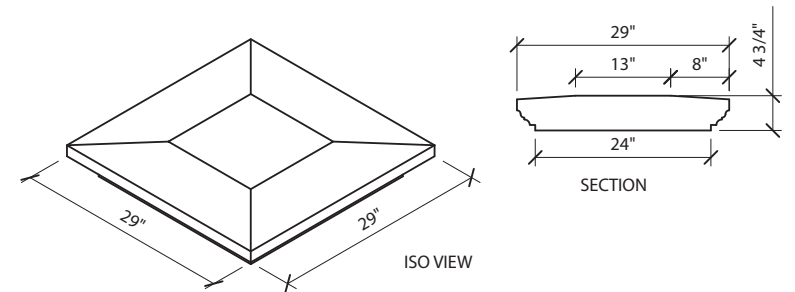
P-0621C



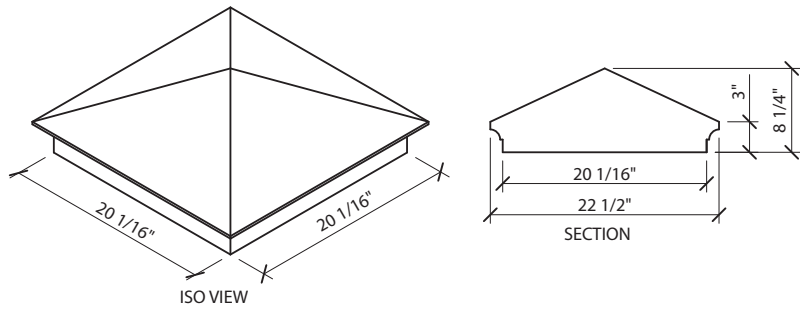
P-0615C



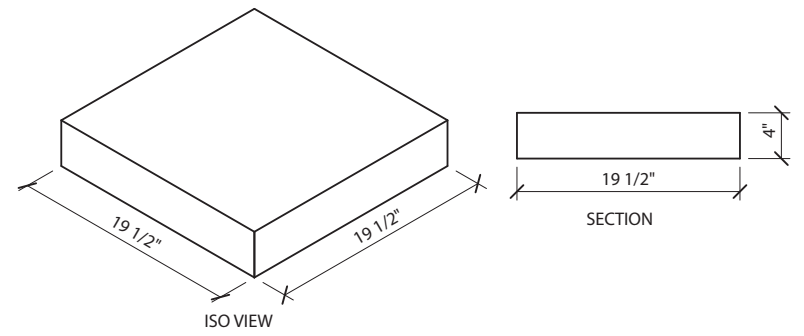
P-0622C



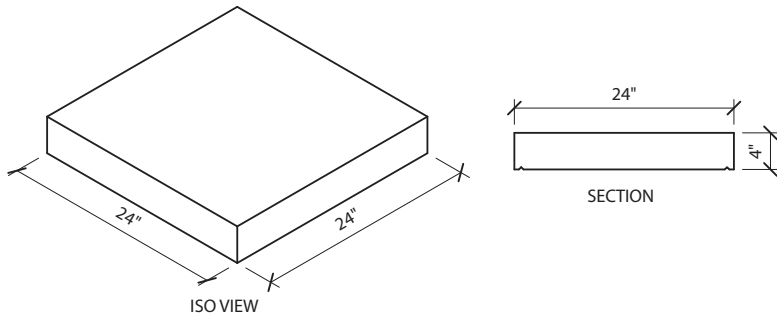
P-0630C



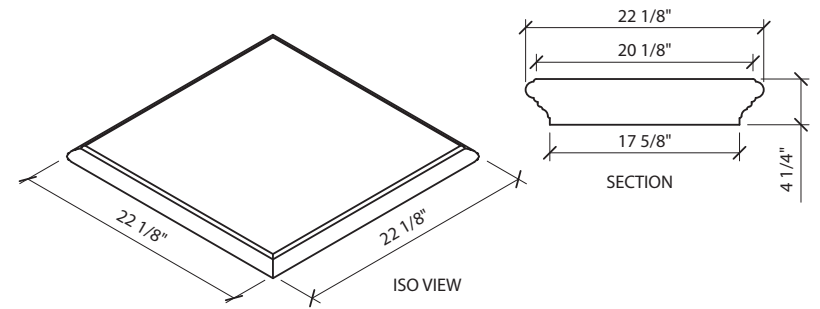
P-0639C



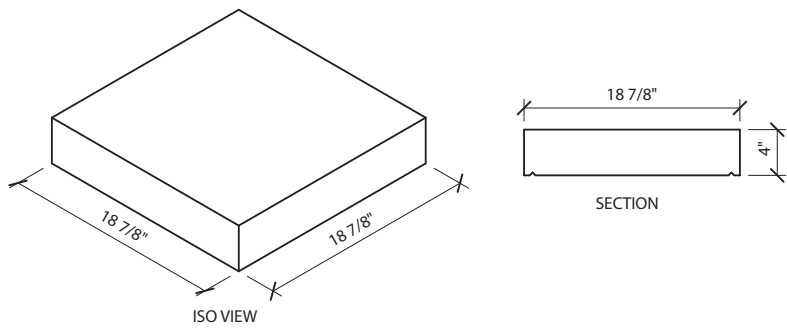
P-0636C



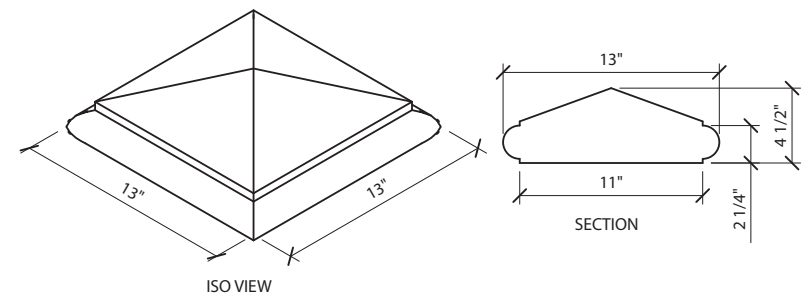
P-0646C



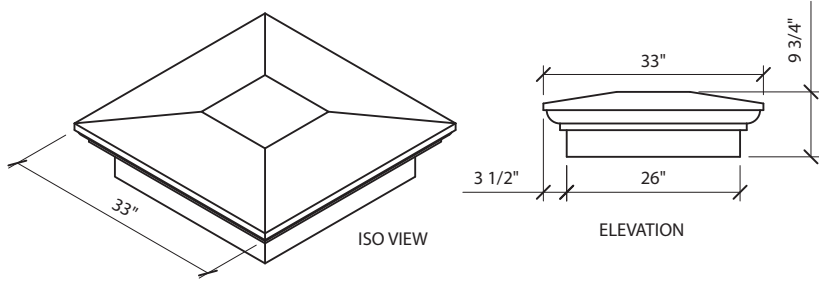
P-0638C



P-0655C



P-C4C

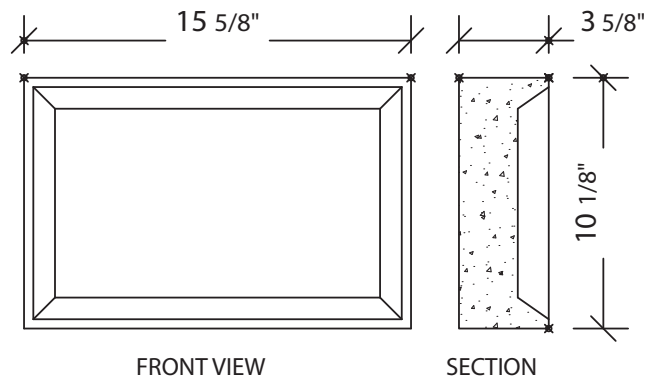




PLAQUES

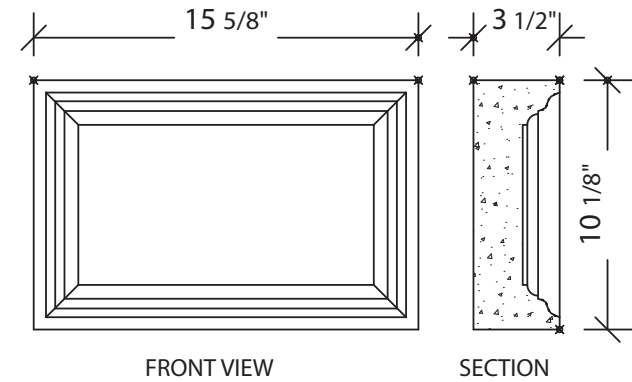


Small Bevel PL-0700



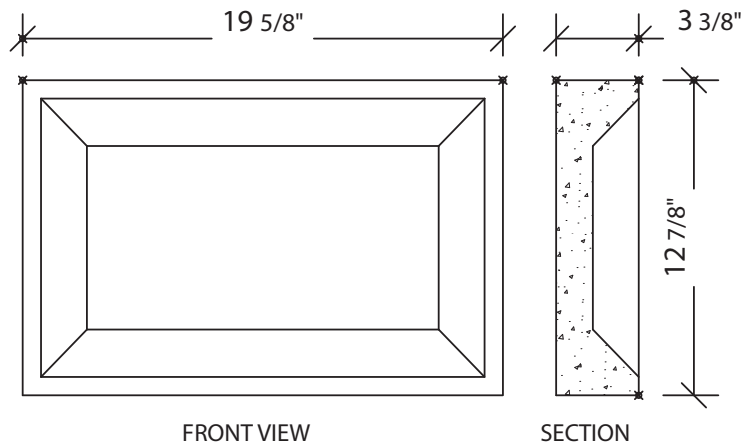
Field Size = 12" x 6 1/2"
Max. 14 Character Spaces

Cavetto PL-0702



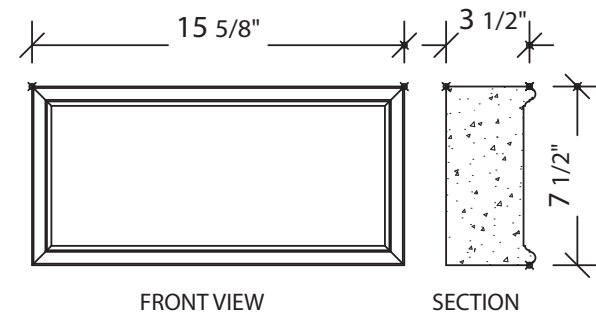
Field Size = 12. 1/4" x 6 3/4"
Max. 14 Character Spaces

Large Bevel PL-0701



Field Size = 14 1/4" x 7 1/2"
Max. 18 Character Spaces

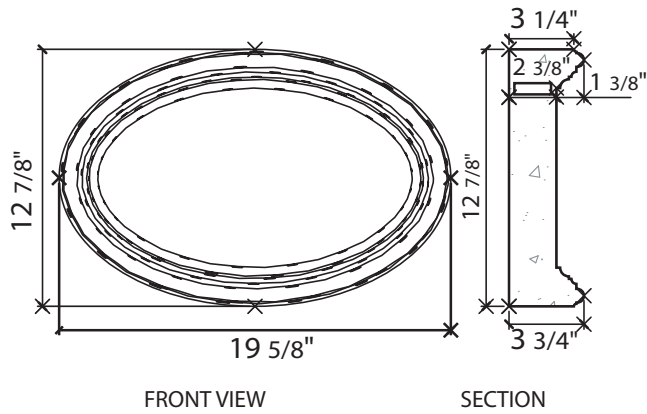
Corner Stone PL-0704



Field Size = 13" x 4 3/4"
No Character Spaces Avail.

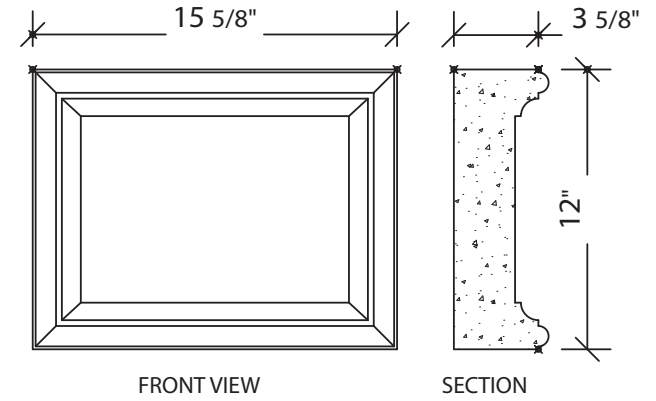


Oval PL-0705



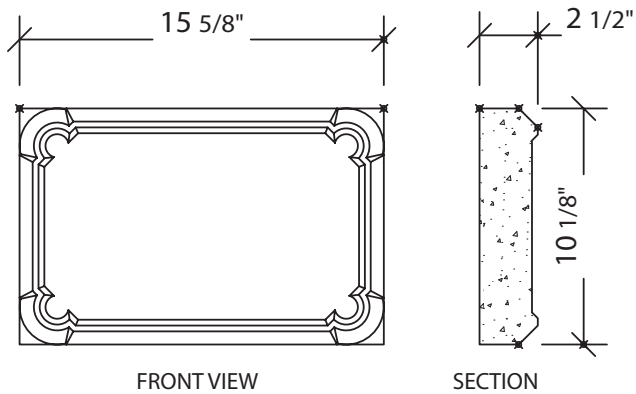
Field size: 8 1/4" x 15"
Max. 15 character spaces

Bullnose PL-0716



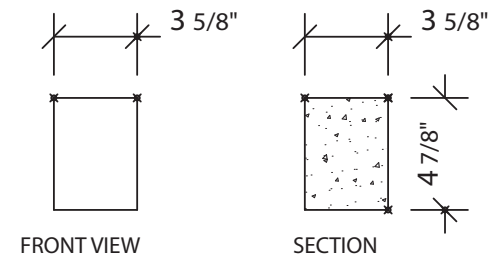
Field Size = 11 1/2" x 8"
Max. 13 Character Spaces

Thin PL-0711



Field Size = 5" x 5"
Max. 14 Character Spaces

Individual Numbers



Block Size = 3 5/8" x 4 7/8"

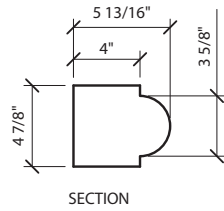
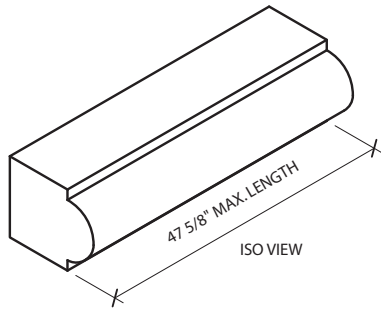




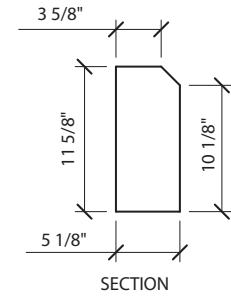
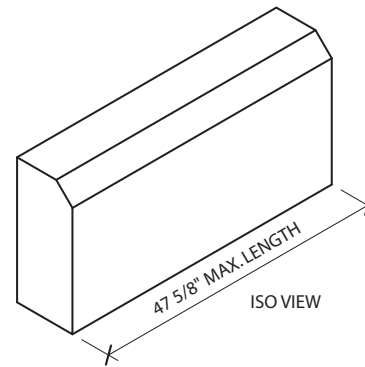
BANDS



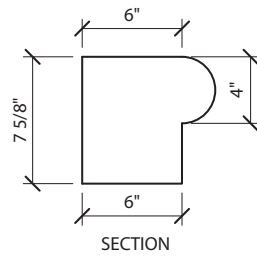
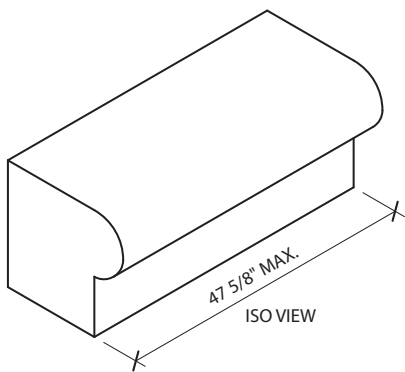
BA-0100C



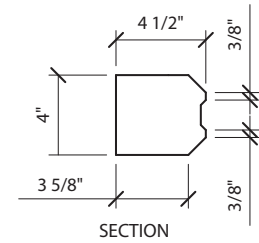
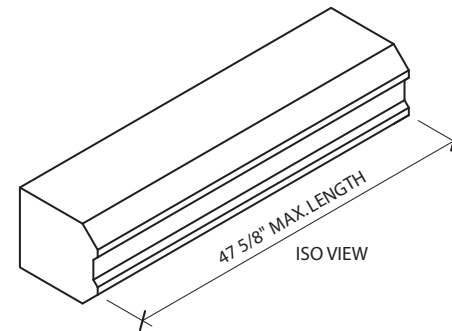
BA-0134C



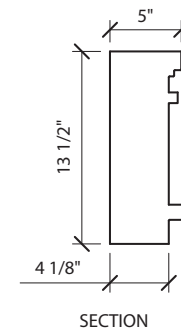
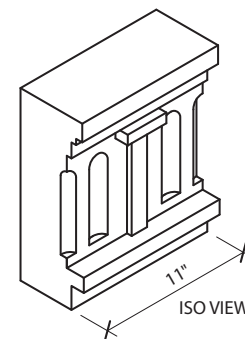
BA-0122C



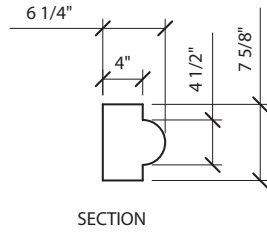
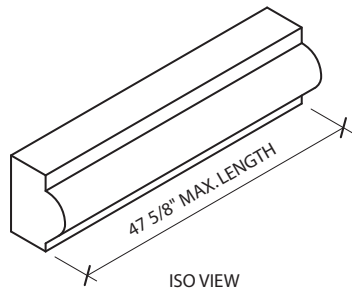
BA-0135C



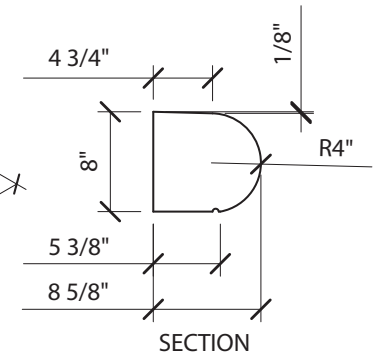
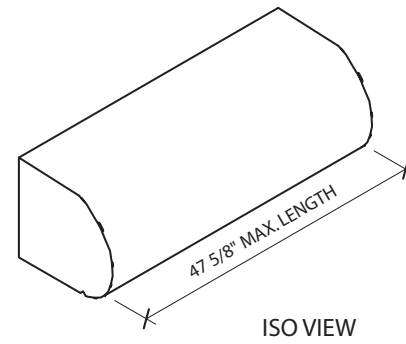
BA-0146C



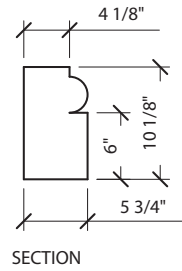
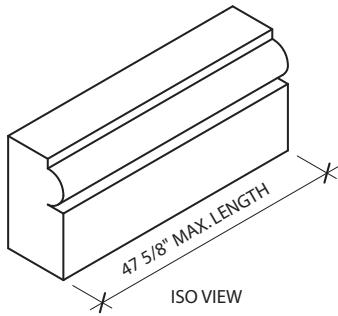
BA-0149C



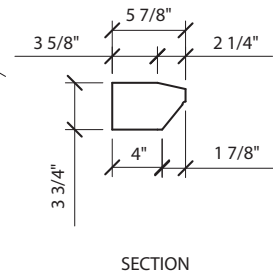
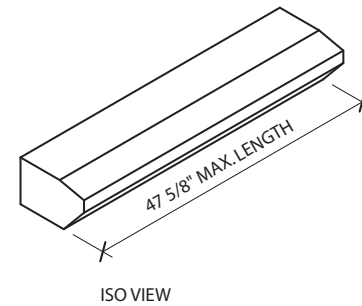
BA-D4C



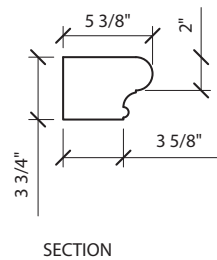
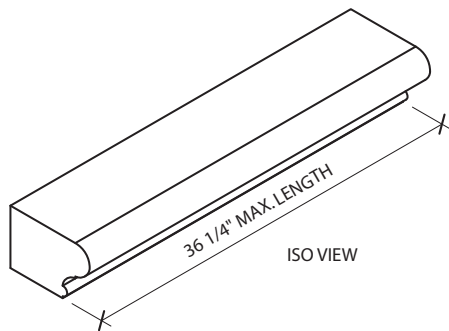
BA-0165C



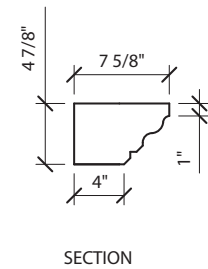
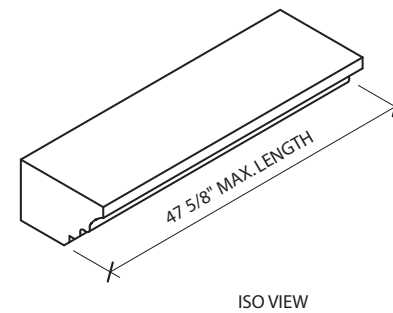
BA-D22C



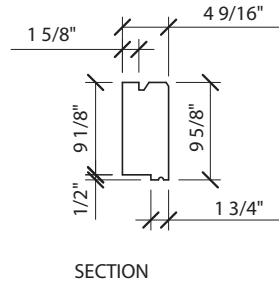
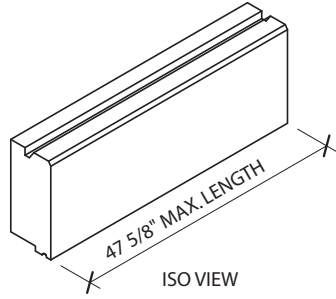
BA-C25C



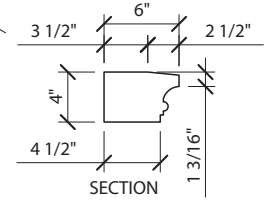
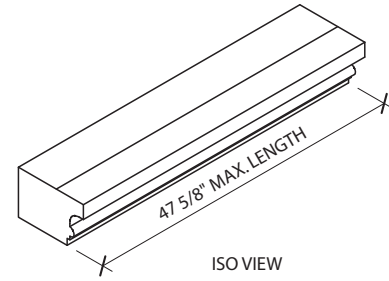
BA-D23C



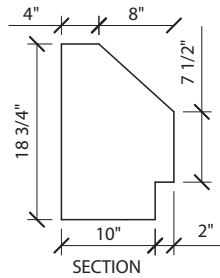
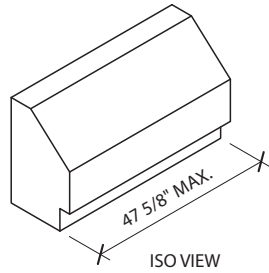
BA-D32C



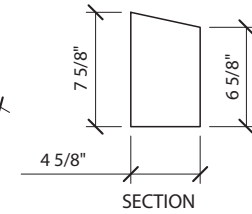
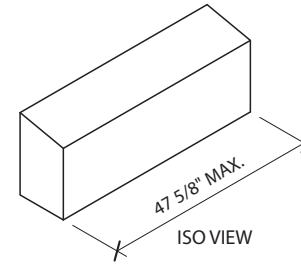
BA-E19C



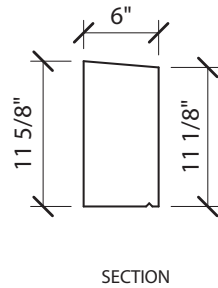
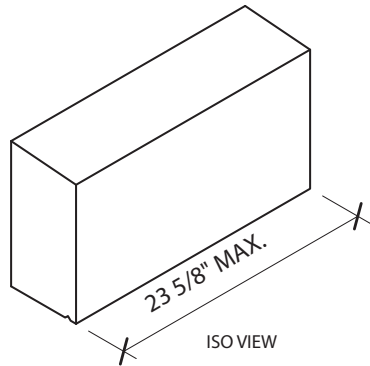
BA-D36C



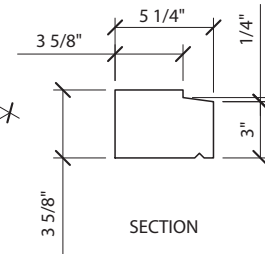
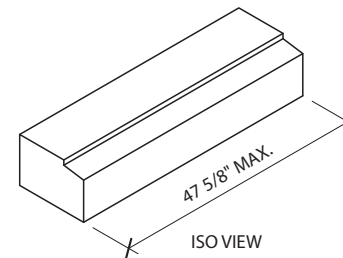
BA-E44C



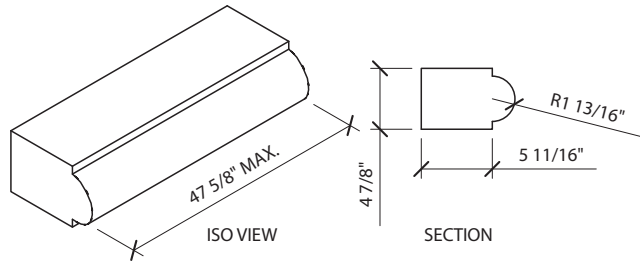
BA-E2C



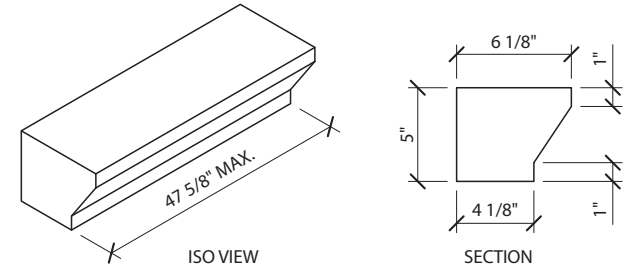
BA-F3C



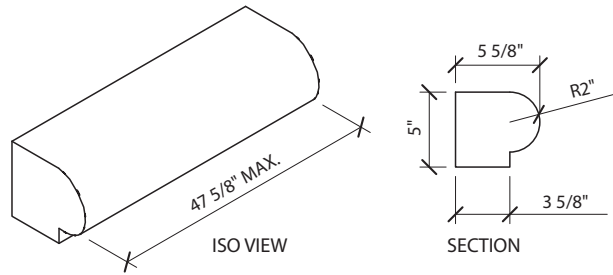
BA-G13C



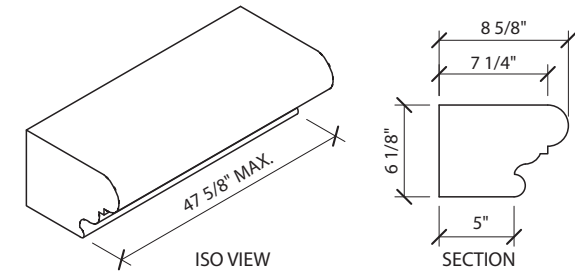
BA-G4C



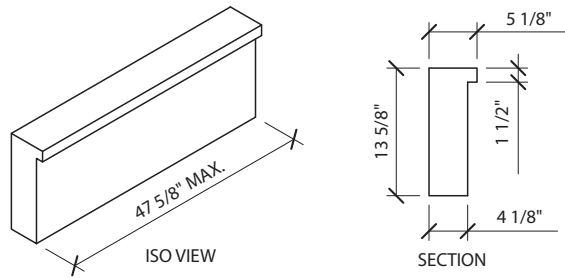
BA-G17C



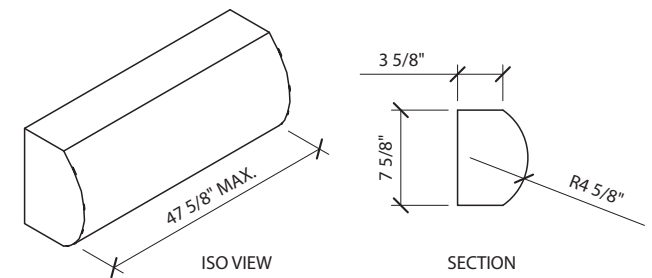
BA-G9C



BA-G18C



BA-G10C

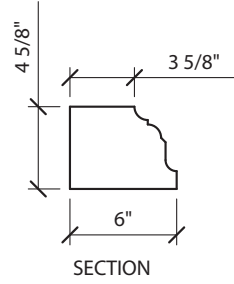
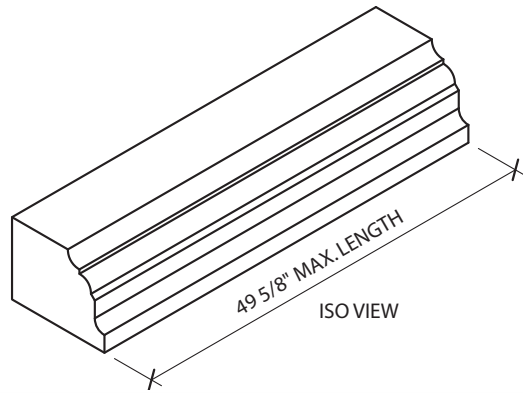




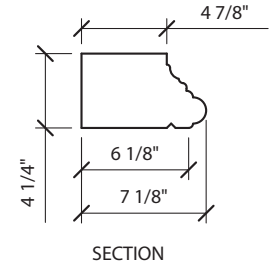
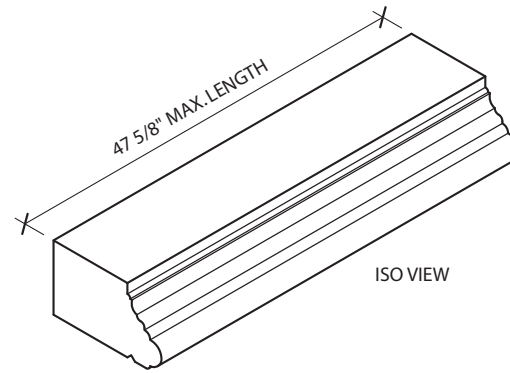
WATERTABLES



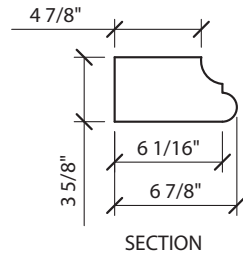
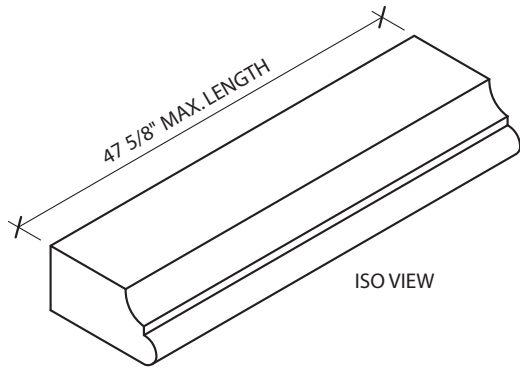
WT-1102C



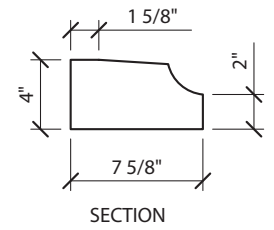
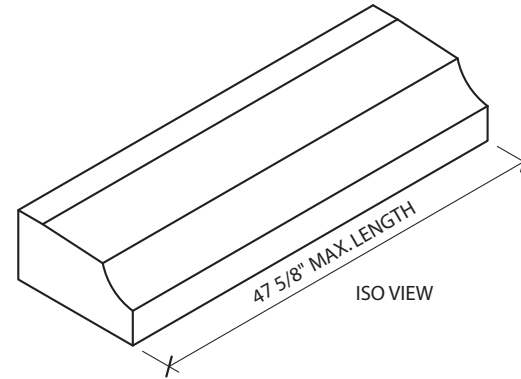
WT-1107C



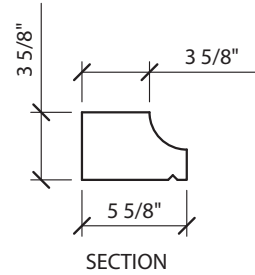
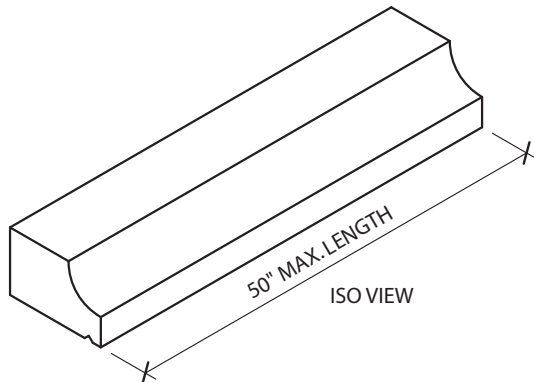
WT-1104C



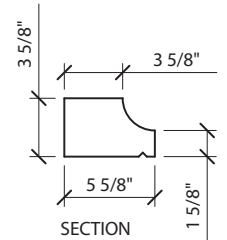
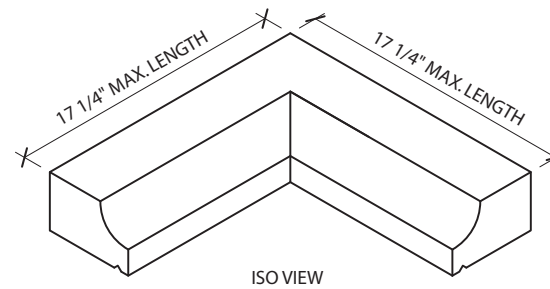
WT-1108C



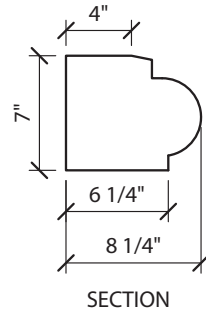
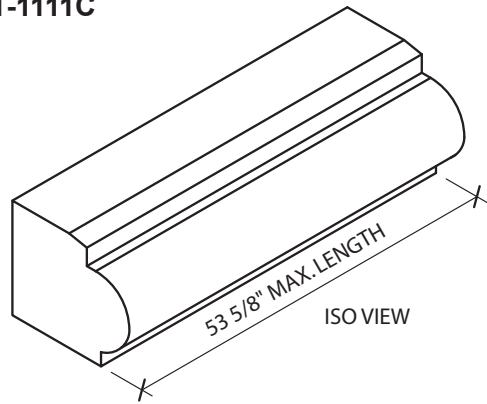
WT-1105C



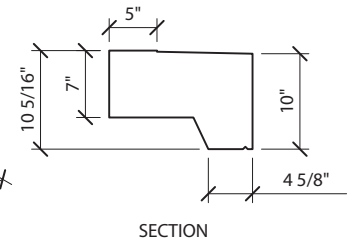
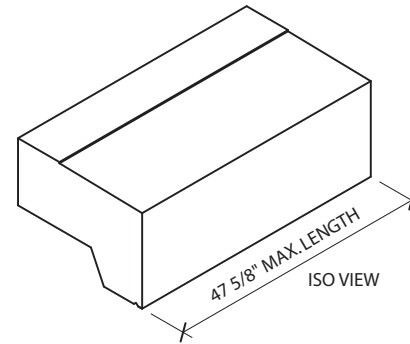
WT-1110C



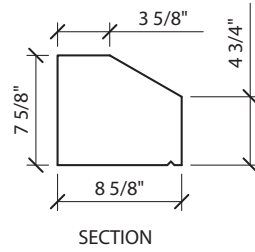
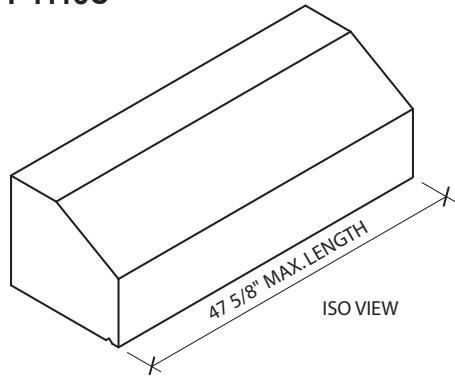
WT-1111C



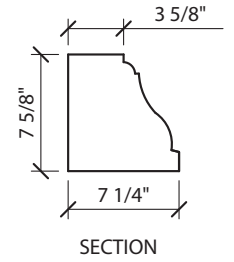
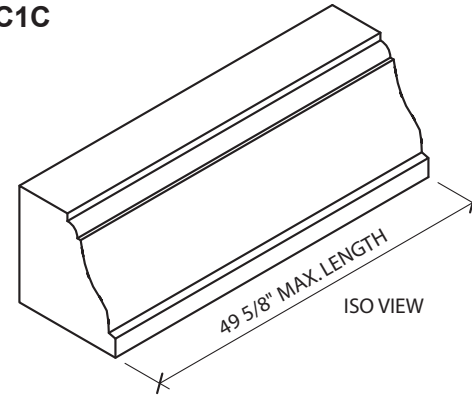
WT-A3C



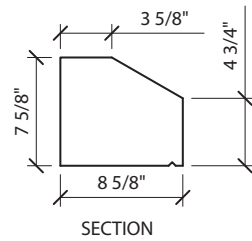
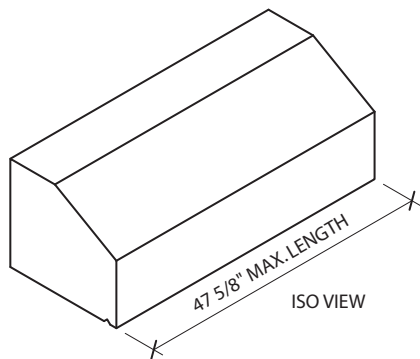
WT-1113C



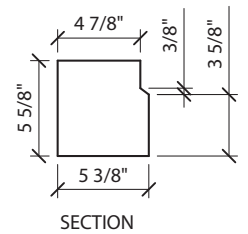
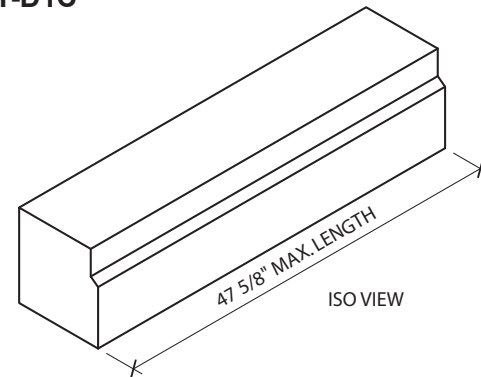
WT-C1C



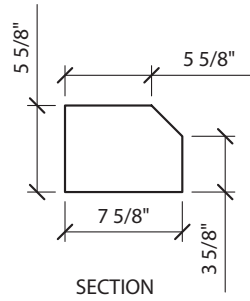
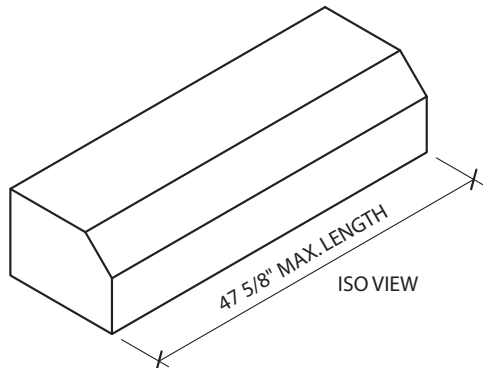
WT-1114C



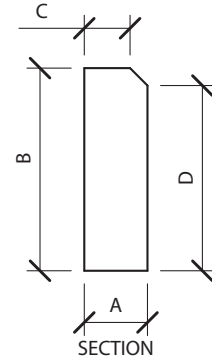
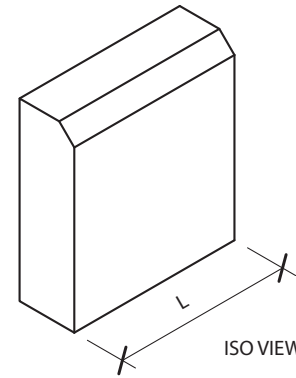
WT-D1C



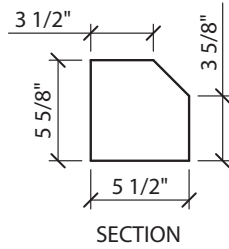
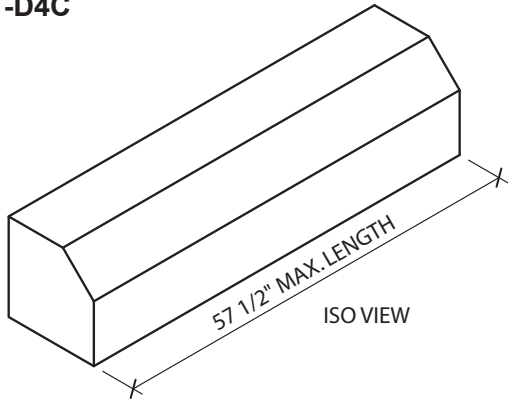
WT-D2C



WT-D11T

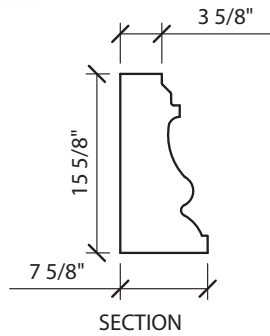
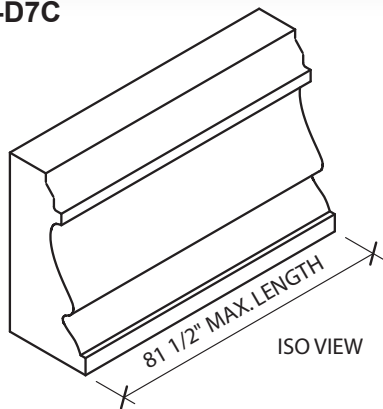


WT-D4C

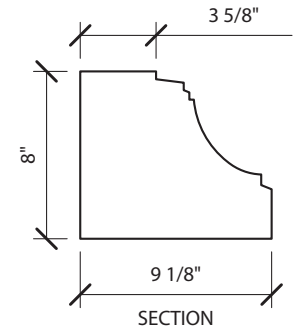
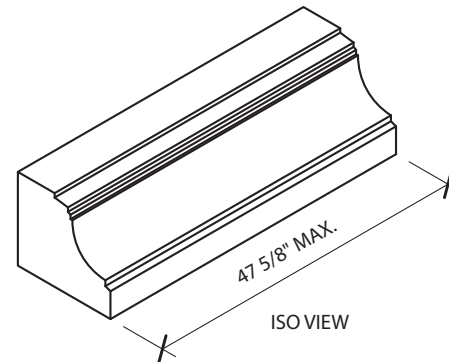


CAT. NO.	A	B	C	D	L	lbs/LF
WT-D11	3 5/8	11 5/8	2 5/8	10 5/8	46 5/8	38
WT-D12	3 5/8	26 5/8	2 5/8	25 5/8	47 5/8	87
WT-D15	4 5/8	28	3 5/8	27	28	116
WT-D16	4 5/8	27 5/8	3 5/8	26 5/8	30	115
WT-D17	5 5/8	10 5/16	3 5/8	9 5/16	47 5/8	52
WT-E2	5 5/8	15 5/8	3 5/8	13 5/8	39	77
WT-E6	4 5/8	5 5/8	3 5/8	4 5/8	47 5/8	23
WT-G2	4 5/8	23 5/8	3 5/8	22 5/8	46 1/4	98

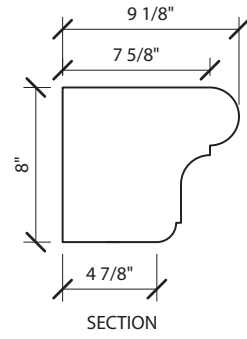
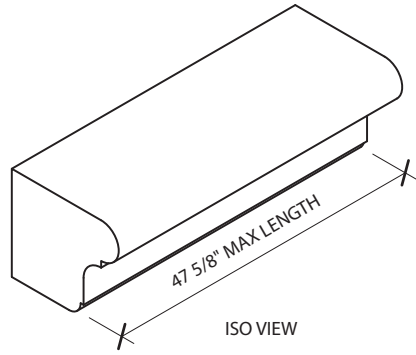
WT-D7C



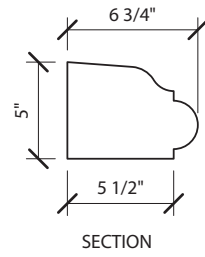
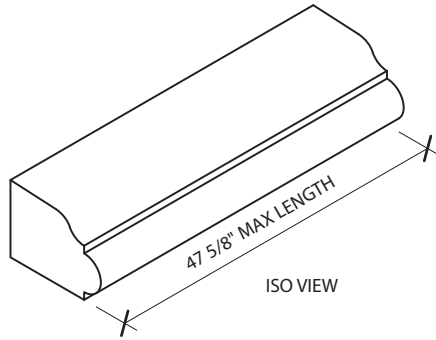
WT-G3C



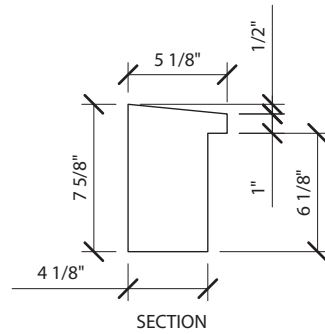
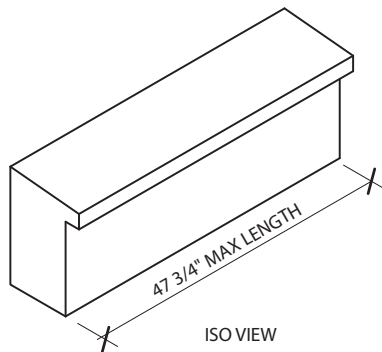
SL-G3C



SL-G8C



SL-G22C

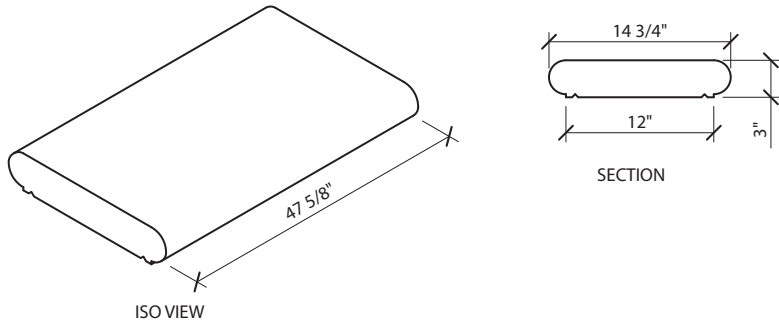




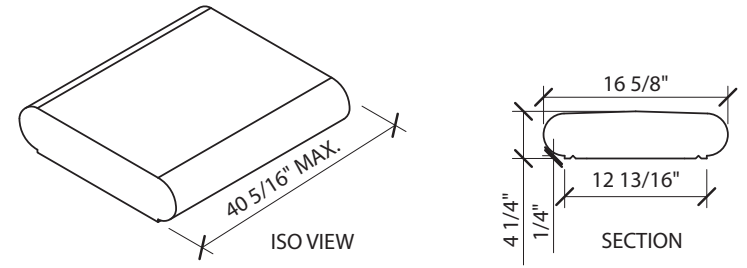
COPINGS



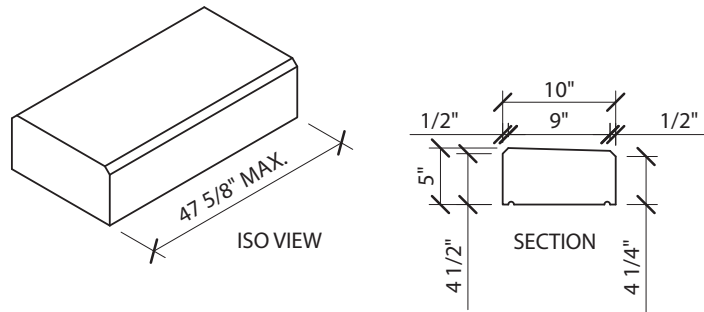
C-0286C



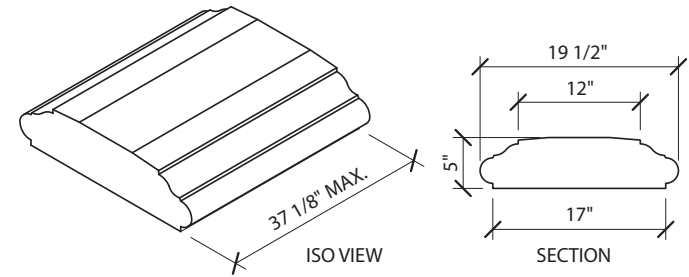
CO-D28C



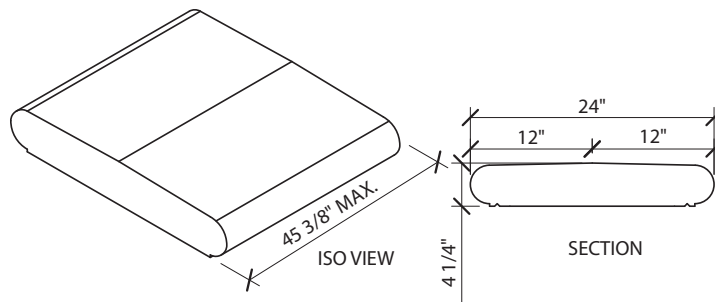
CO-C45C



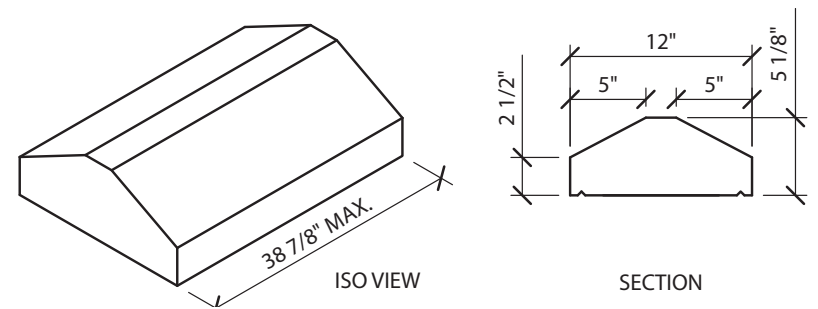
CO-E15C



CO-D27C



CO-E19C



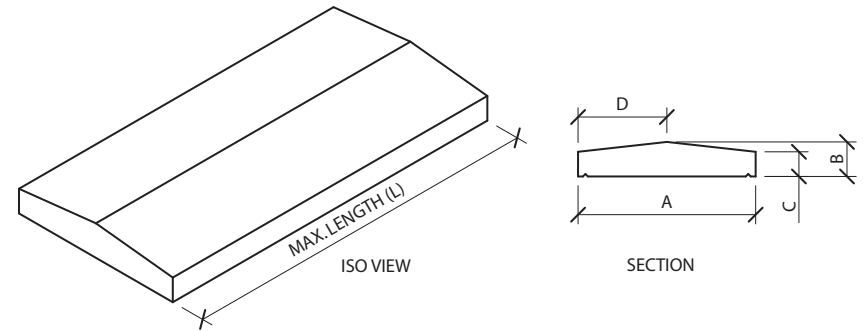
Copings

CAT. NO.	A	B	C	D	L	lbs/LF
WT-D11	3 5/8	11 5/8	2 5/8	10 5/8	46 5/8	38
WT-D12	3 5/8	26 5/8	2 5/8	25 5/8	47 5/8	87
WT-D15	4 5/8	28	3 5/8	27	28	116
WT-D16	4 5/8	27 5/8	3 5/8	26 5/8	30	115
WT-D17	5 5/8	10 5/16	3 5/8	9 5/16	47 5/8	52
WT-E2	5 5/8	15 5/8	3 5/8	13 5/8	39	77
WT-E6	4 5/8	5 5/8	3 5/8	4 5/8	47 5/8	23
WT-G2	4 5/8	23 5/8	3 5/8	22 5/8	46 1/4	98

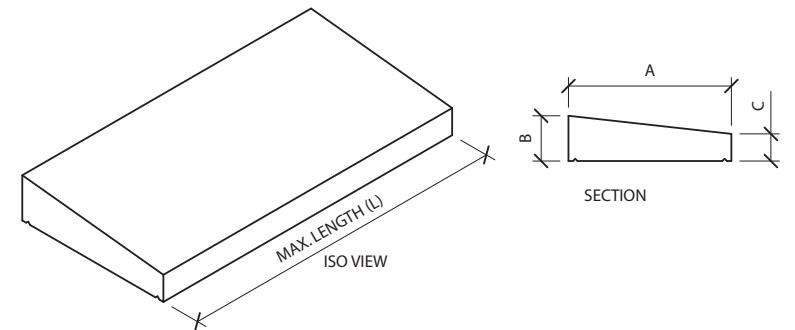
CAT. NO.	A	B	C	D	L	lbs/LF
WT-D11	3 5/8	11 5/8	2 5/8	10 5/8	46 5/8	38
WT-D12	3 5/8	26 5/8	2 5/8	25 5/8	47 5/8	87
WT-D15	4 5/8	28	3 5/8	27	28	116
WT-D16	4 5/8	27 5/8	3 5/8	26 5/8	30	115
WT-D17	5 5/8	10 5/16	3 5/8	9 5/16	47 5/8	52
WT-E2	5 5/8	15 5/8	3 5/8	13 5/8	39	77
WT-E6	4 5/8	5 5/8	3 5/8	4 5/8	47 5/8	23
WT-G2	4 5/8	23 5/8	3 5/8	22 5/8	46 1/4	98

CAT. NO.	A	B	C	D	L	lbs/LF
WT-D11	3 5/8	11 5/8	2 5/8	10 5/8	46 5/8	38
WT-D12	3 5/8	26 5/8	2 5/8	25 5/8	47 5/8	87
WT-D15	4 5/8	28	3 5/8	27	28	116
WT-D16	4 5/8	27 5/8	3 5/8	26 5/8	30	115
WT-D17	5 5/8	10 5/16	3 5/8	9 5/16	47 5/8	52
WT-E2	5 5/8	15 5/8	3 5/8	13 5/8	39	77
WT-E6	4 5/8	5 5/8	3 5/8	4 5/8	47 5/8	23
WT-G2	4 5/8	23 5/8	3 5/8	22 5/8	46 1/4	98

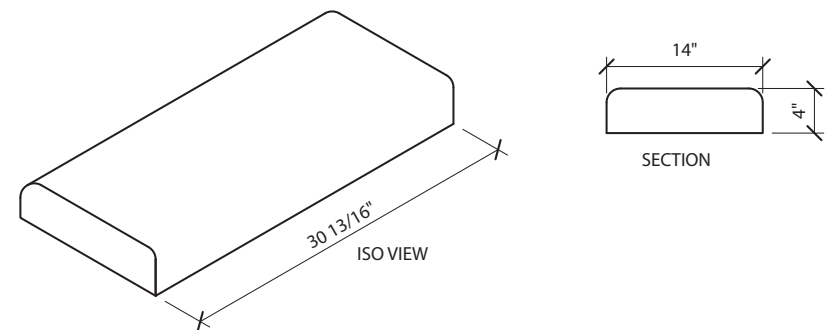
C-0200T



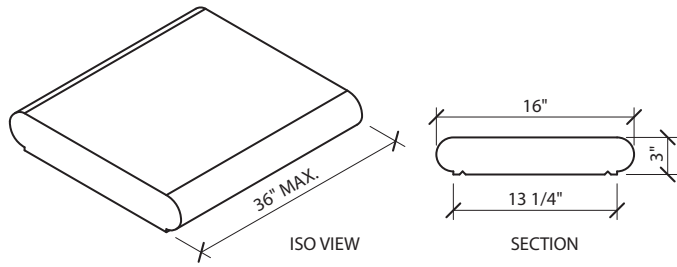
C-0207T



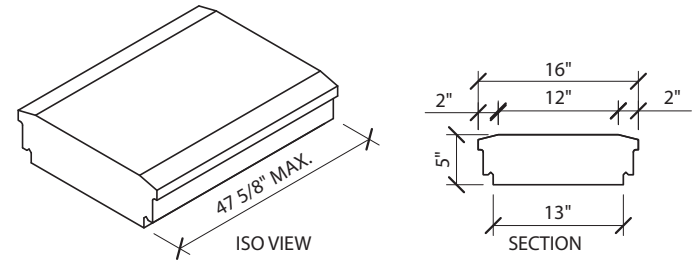
C-0210C



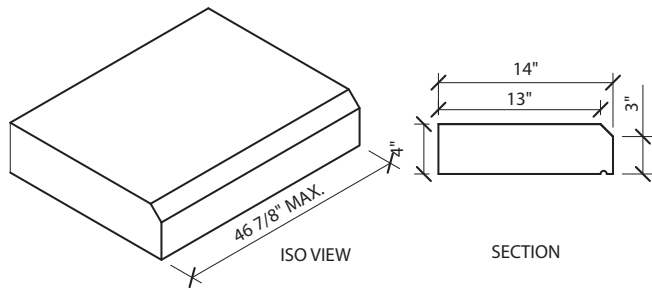
CO-E28C



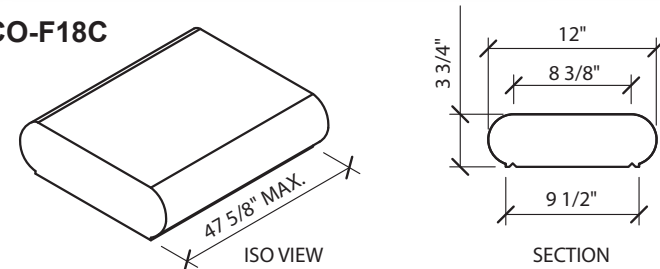
CO-E51C



CO-E48C

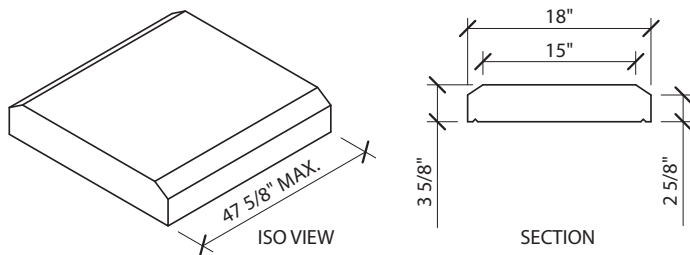


CO-F18C

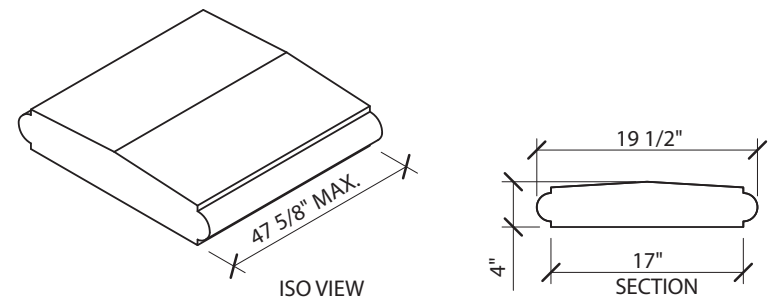


CAT. NO.	A	B	C	D	L	lbs/LF
WT-D11	3 5/8	11 5/8	2 5/8	10 5/8	46 5/8	38
WT-D12	3 5/8	26 5/8	2 5/8	25 5/8	47 5/8	87
WT-D15	4 5/8	28	3 5/8	27	28	116
WT-D16	4 5/8	27 5/8	3 5/8	26 5/8	30	115
WT-D17	5 5/8	10 5/16	3 5/8	9 5/16	47 5/8	52

CO-E49C



CO-F21C

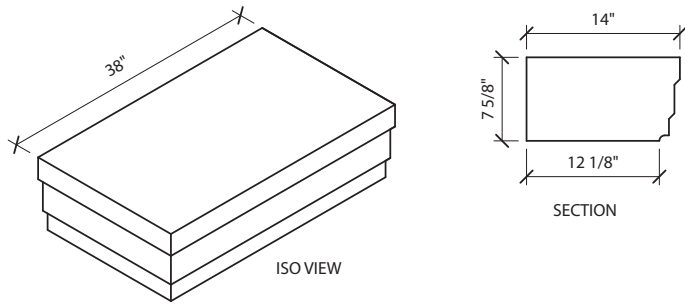




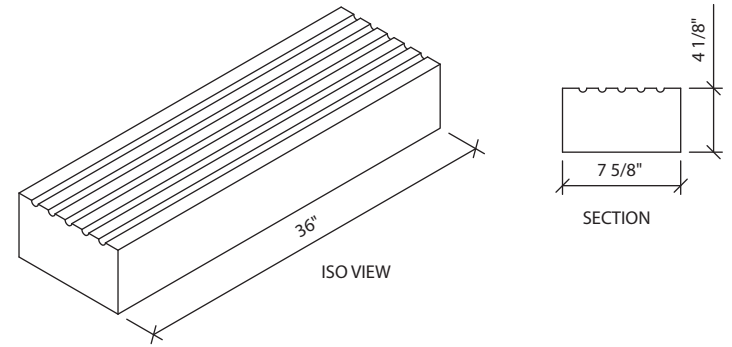
SURROUNDS



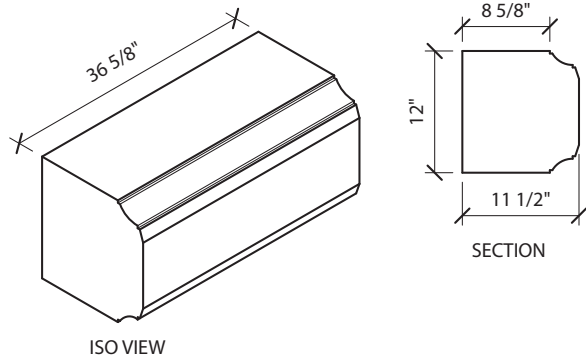
J-1034C



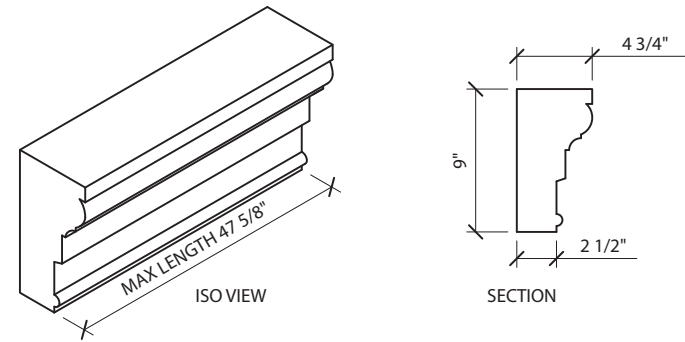
SU-1003C



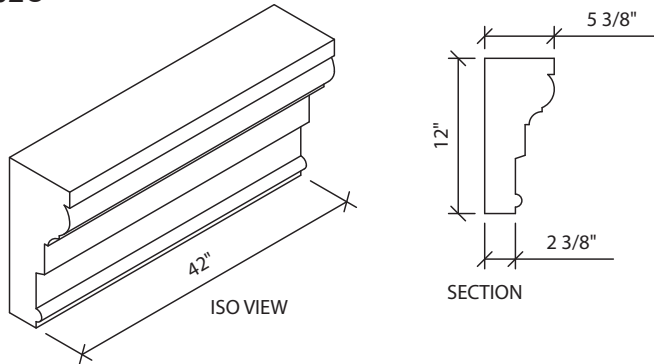
J-1040C



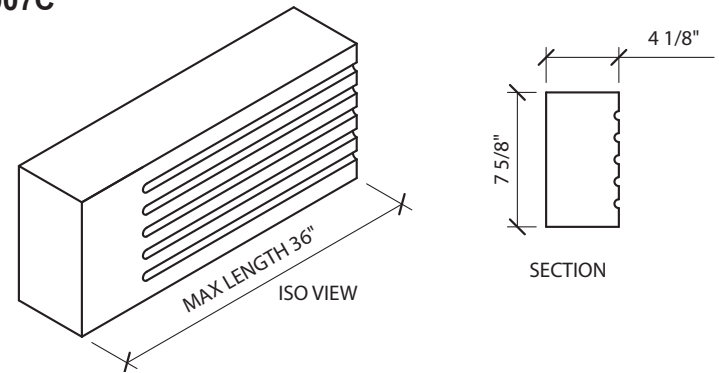
SU-1006C



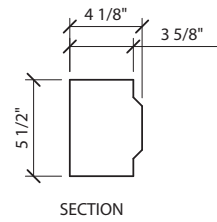
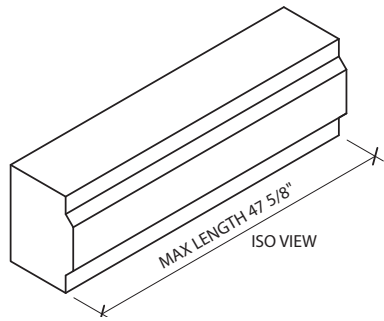
SU-1002C



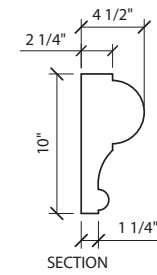
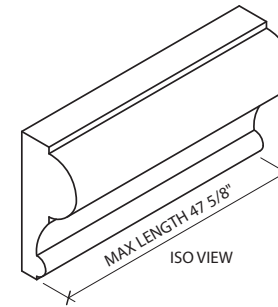
SU-1007C



SU-1009C

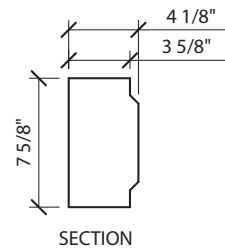
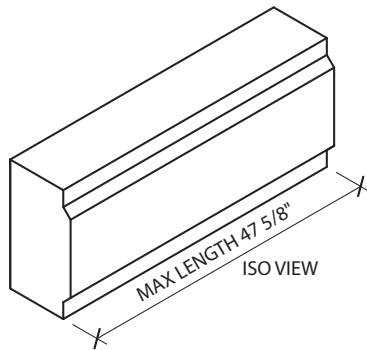


SU-1016C

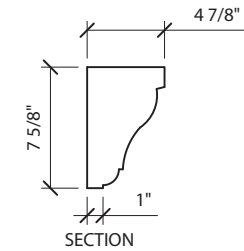
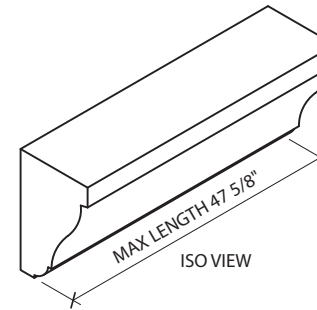


CAT. NO.	A	B	C	D	L	lbs/LF
SU-1016	4 1/2	10	1 1/4	2 1/4	68	28
SU-1017	3 7/8	8	1 1/4	2 1/16	64	19
SU-1021	3 3/16	6	1 1/4	1 13/16	60	12

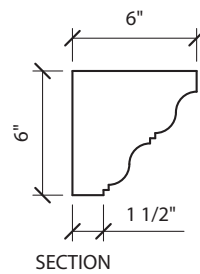
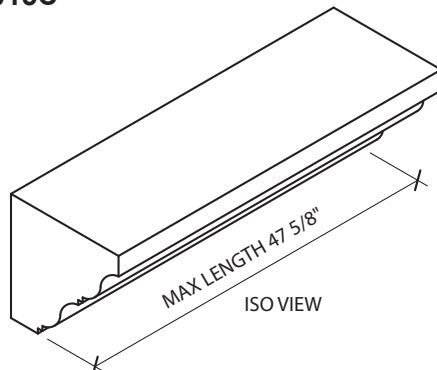
SU-1010C



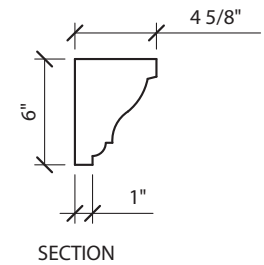
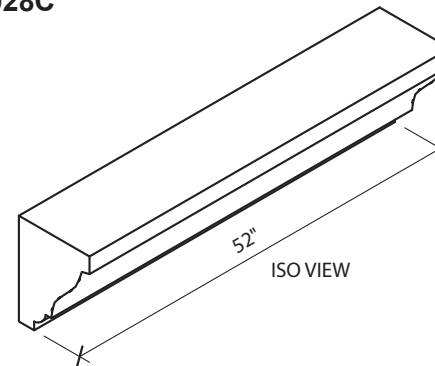
SU-1027C



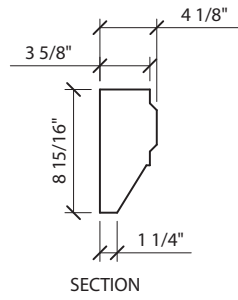
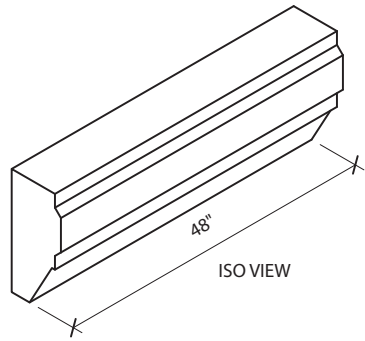
SU-1015C



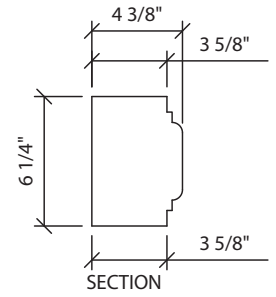
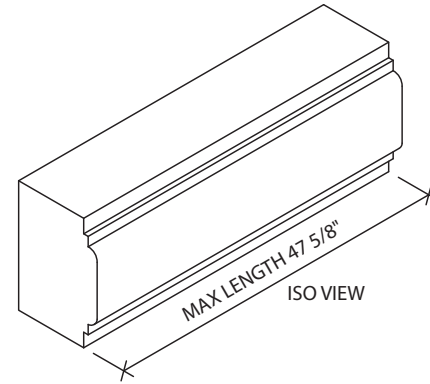
SU-1028C



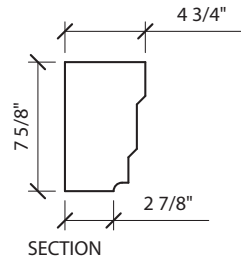
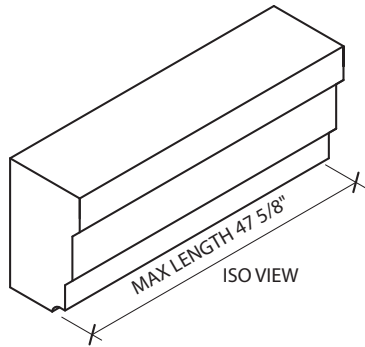
SU-1030C



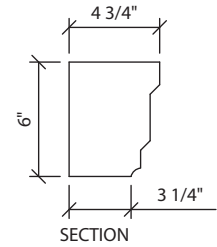
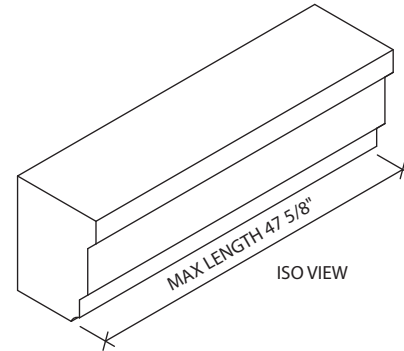
SU-1036C



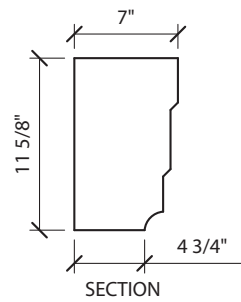
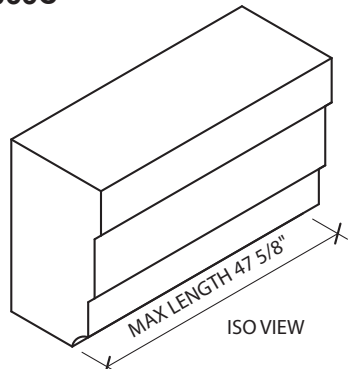
SU-1032C



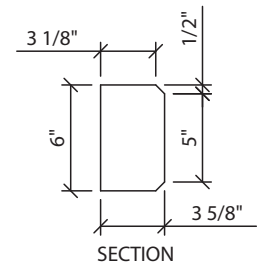
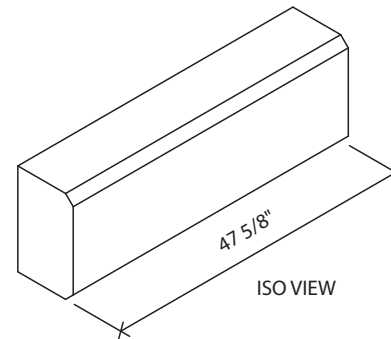
SU-1038C



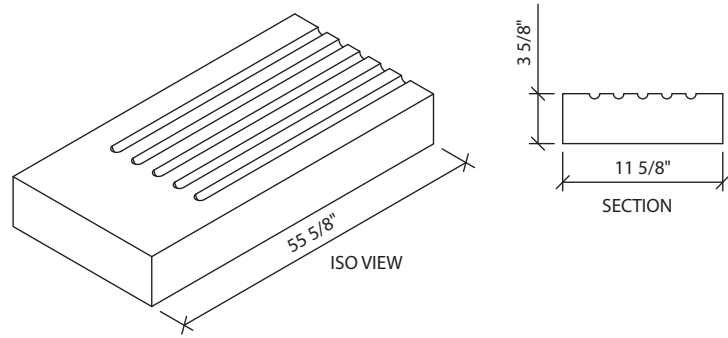
SU-1033C



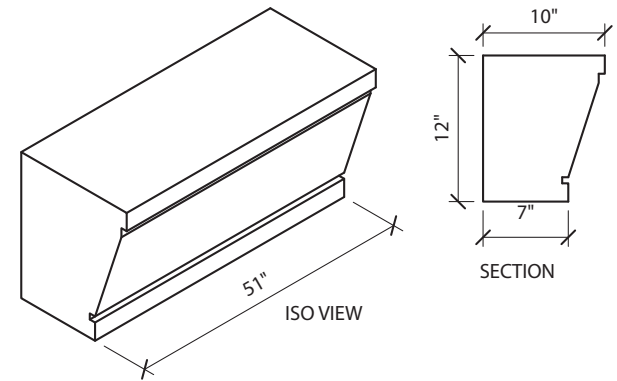
SU-1039C



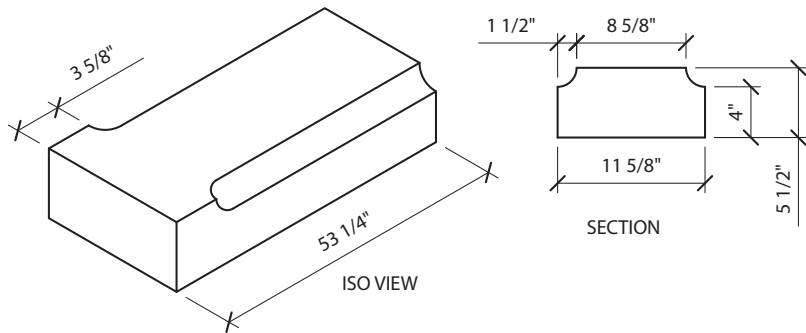
SU-1046C



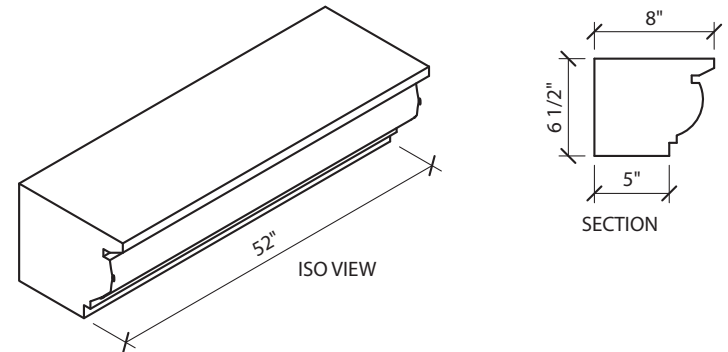
SU-1049C



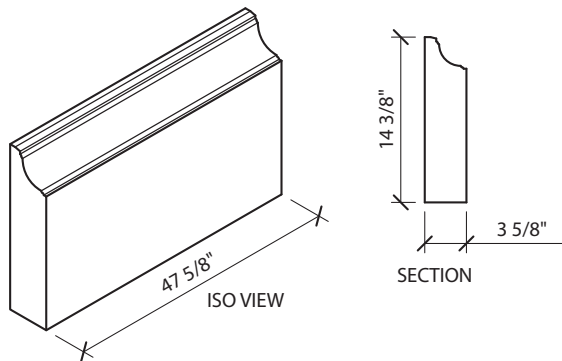
SU-1047C



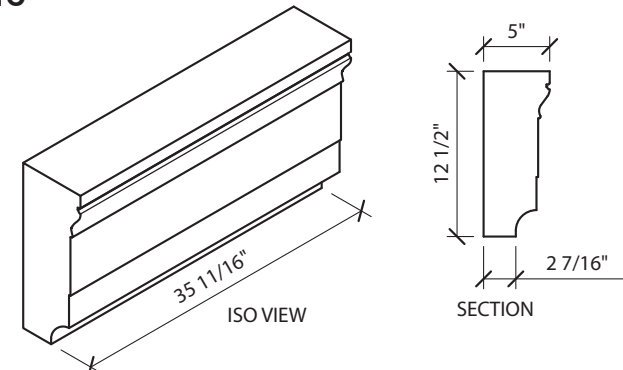
SU-1050C



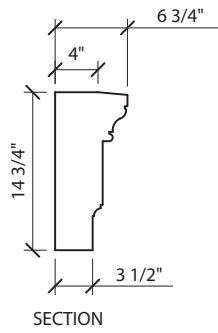
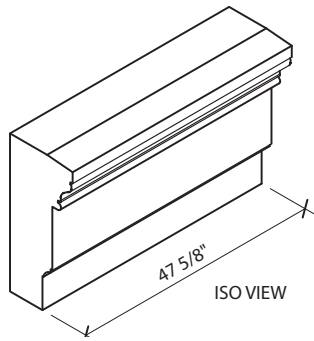
SU-1048C



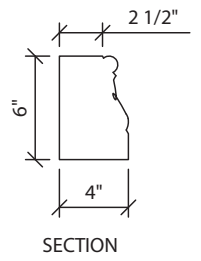
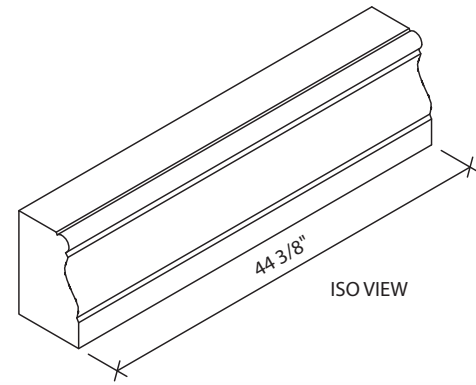
SU-1051C



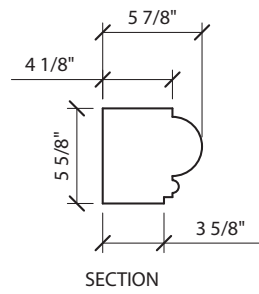
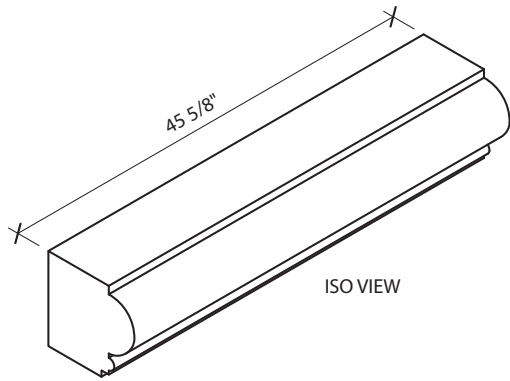
SU-1052C



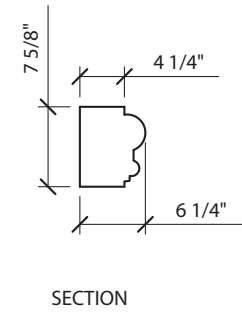
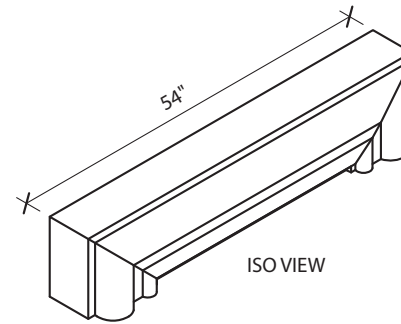
SU-B4C



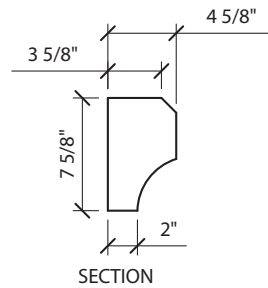
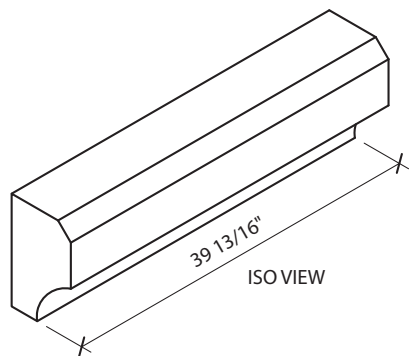
SU-1056C



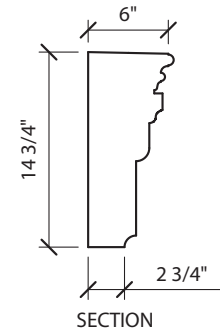
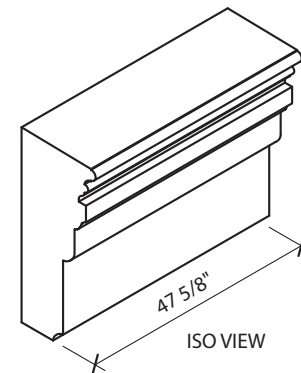
SU-C1C



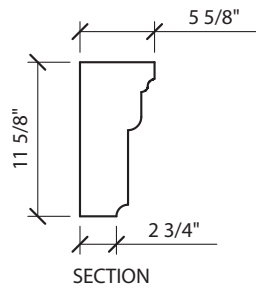
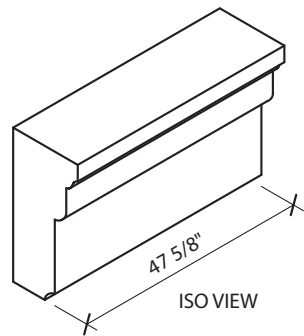
SU-1057C



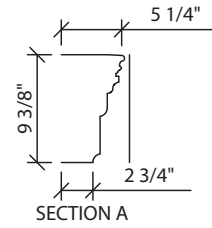
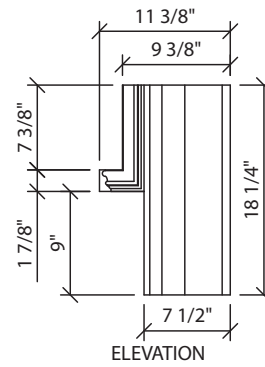
SU-C13C



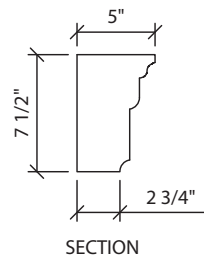
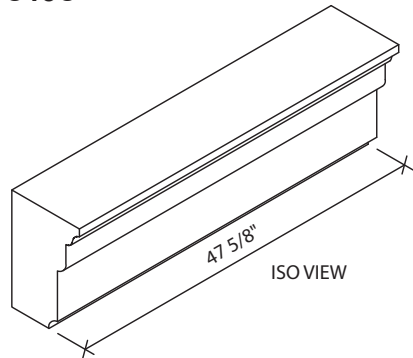
SU-C14C



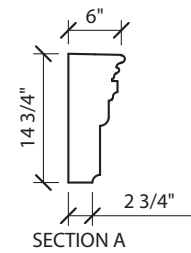
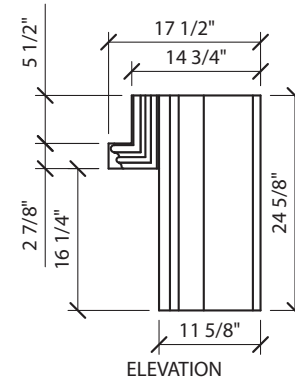
SU-C17C



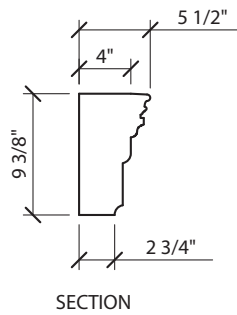
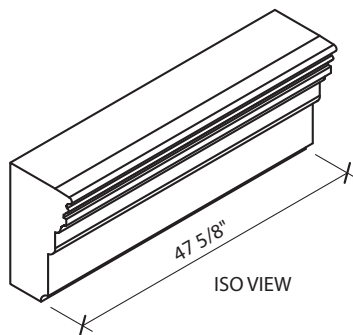
SU-C15C



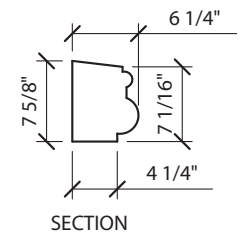
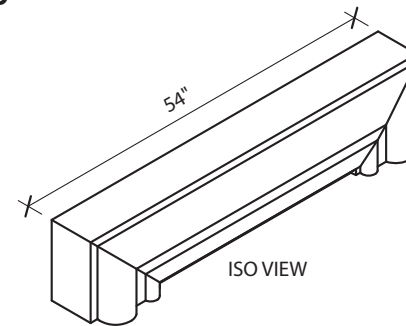
SU-C18C



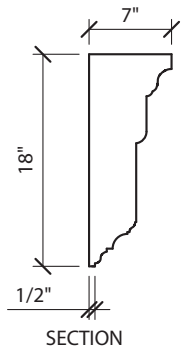
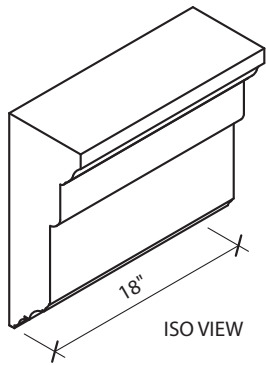
SU-C16C



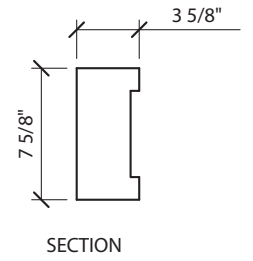
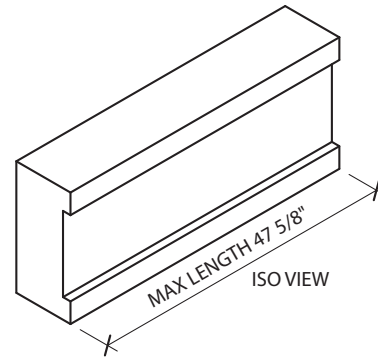
SU-C19C



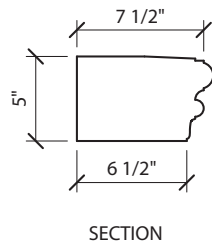
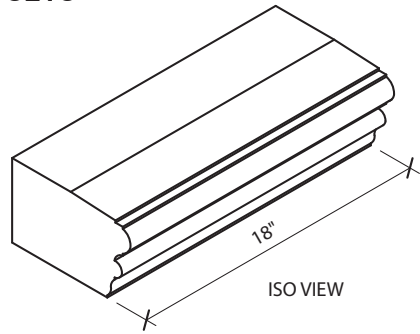
SU-C20C



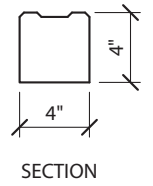
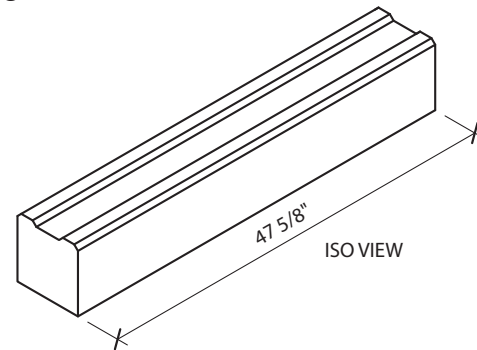
SU-C27C



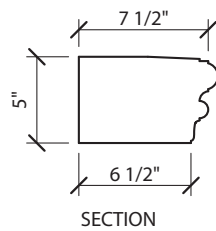
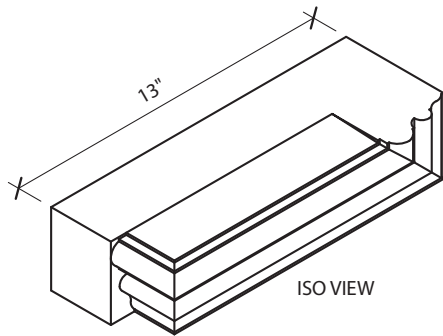
SU-C21C



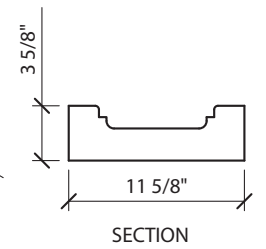
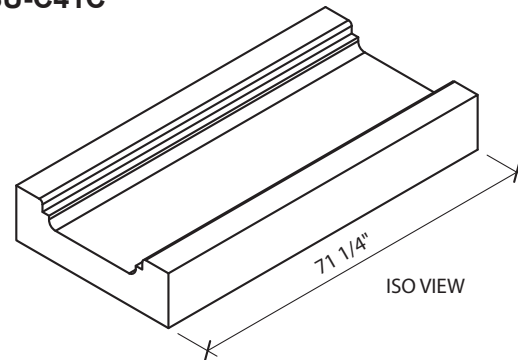
SU-C38C



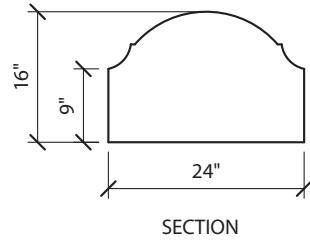
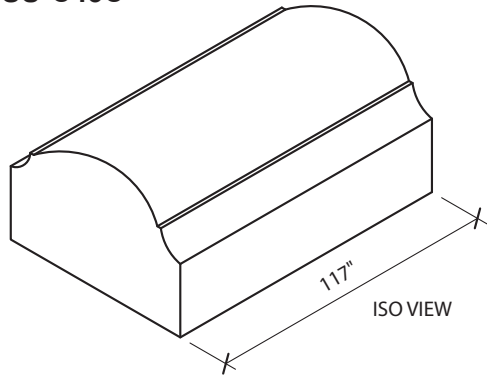
SU-C22C



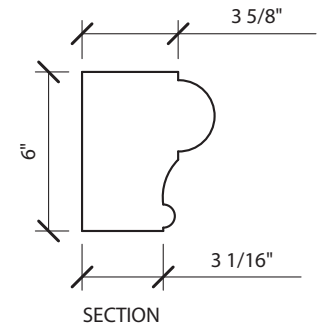
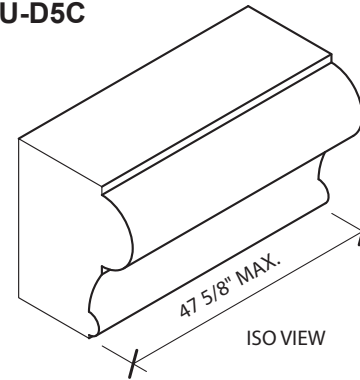
SU-C41C



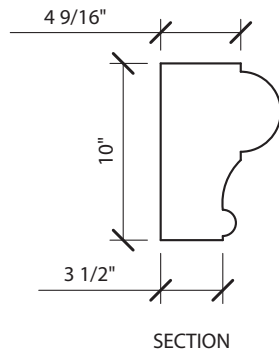
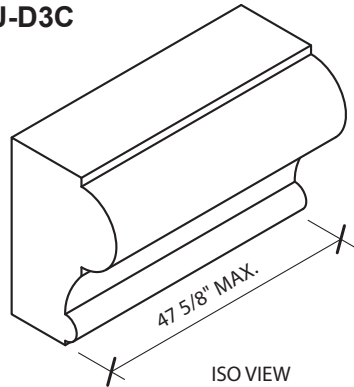
SU-C43C



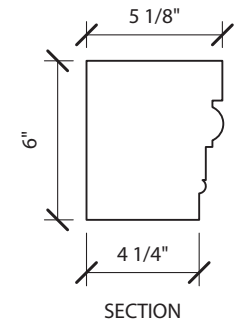
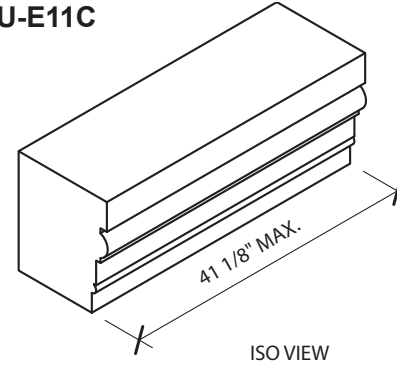
SU-D5C



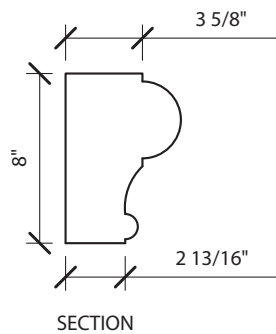
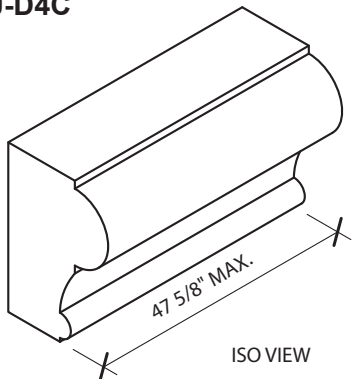
SU-D3C



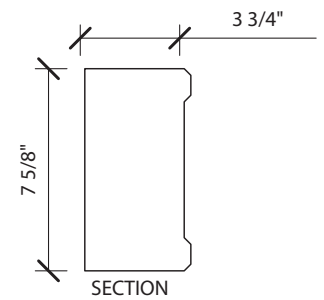
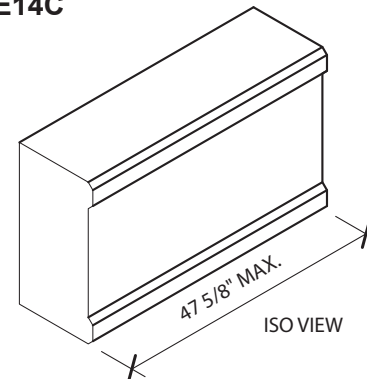
SU-E11C



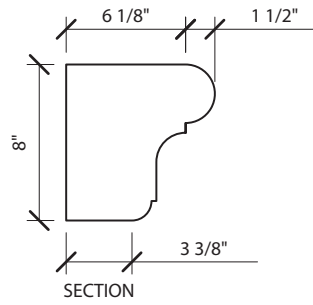
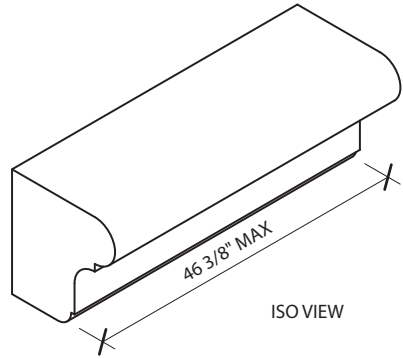
SU-D4C



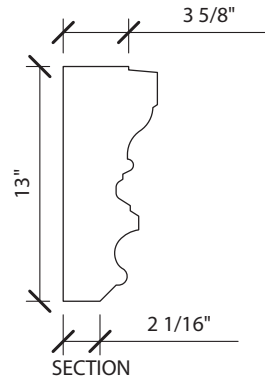
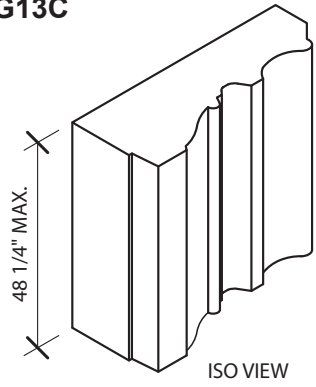
SU-E14C



SU-G3C



SU-G13C

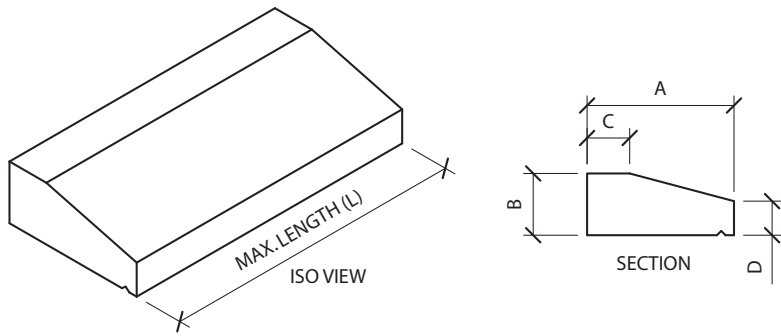




SILLS

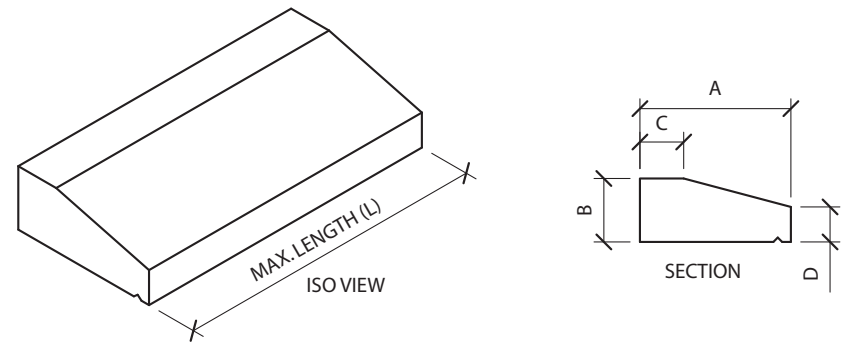


S-900C



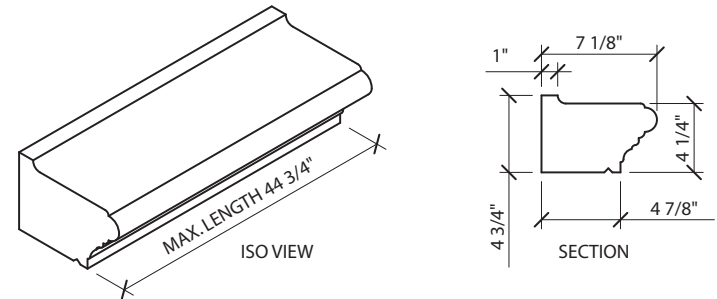
CAT. NO.	A	B	C	D	L	lbs/LF
S-0901	5	3 5/8	1 1/2	2 5/8	48	15
SL-C21	4 5/8	3	3	1	47 5/8	44
SL-C27	8	3 3/8	4	2 3/8	24	23
S-0903	5 1/4	3 1/2	1 1/4	2 1/4	32	14
SL-C16	6	3 1/2	1	3	47 5/8	18
S-0900	8 5/8	3 5/8	2 1/2	2	48	23
S-0904	7	3 5/8	1 1/2	2 5/8	48	20
S-0905	7 7/8	3 5/8	1 1/2	2 5/8	48	23
S-0906	12	3 5/8	1 1/2	2 5/8	48	35
S-0932	6	3 5/8	3	2 5/8	47 5/8	18
S-0934	5 1/2	3 5/8	4	2 1/8	45 3/4	17
S-0963	7 5/8	3 5/8	3 5/8	3 1/8	47 5/8	24
S-0976	7	3 5/8	3 1/4	2 7/8	47 5/8	21
SL-C26	8	3 5/8	3	2 5/8	47 5/8	96
SL-C28	5 5/8	3 5/8	2	2 5/8	47 5/8	17
S-0914	10	3 3/4	2 1/4	3	69	31
S-0907	5	4	1	3	60	16
S-0967	4 3/4	4	1 1/2	3 1/4	47 5/8	16
S-0911	4 1/2	4 3/16	7/8	3 7/16	48	15
S-0962	6	4 5/8	2	4	47 5/8	24
S-0927	4 1/8	4 3/4	1 1/4	4	47 5/8	17
S-0935	6	5	2	4	47 5/8	26
SL-B21	5	5	1	4 1/2	47 5/8	22
SL-B26	4 5/8	5	1	4 1/4	43 3/8	20
S-0921	7 1/2	5 1/8	3	3 1/2	63 3/4	31
S-0923	4 5/8	5 1/4	3 5/8	4 1/2	47 5/8	21
SL-C3	6 5/8	7 1/2	2 1/2	5 1/2	47 5/8	41
S-0940	5	7 5/8	1 1/4	7 3/8	47 5/8	33
S-0987	4 5/8	7 5/8	1	6 5/8	47 5/8	30
S-0993	8 1/4	7 5/8	4 1/4	7	47 5/8	56
SL-B18	3 5/8	7 5/8	5/8	7 1/8	56	25
S-0924	4 5/8	8	1	7 1/2	47 3/4	32
S-0984	5 1/4	9 1/4	2 1/4	6 1/4	47 5/8	40

S-0900T

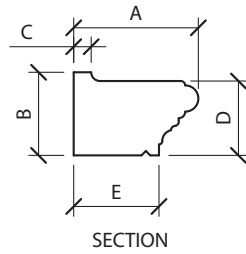
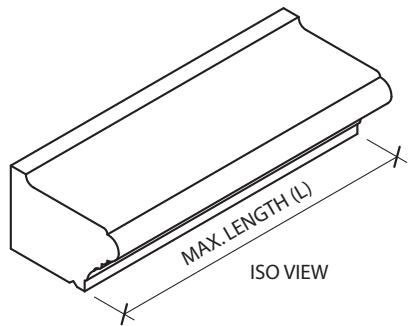


CAT. NO.	A	B	C	L	lbs/LF
S-0915	5 1/4	3	2	48	12
S-0902	4 7/8	3 5/8	4 7/8	40	22
SL-C23	6	3 5/8	3 1/4	47 5/8	19
S-0930	5	4	3	47 5/8	16
S-0939	4	4	3 3/4	47 5/8	52
S-0952	3 5/8	4 1/2	4 1/4	47 5/8	15
S-0926	5 3/4	4 5/8	3 1/4	50	20
S-0960	7 5/8	5	4	55 5/8	31
S-0961	8 1/2	5	4	47 5/8	34
S-A11	8 5/8	5	4 3/4	60 3/8	38

S-0908C

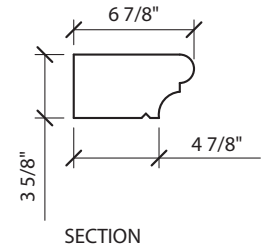
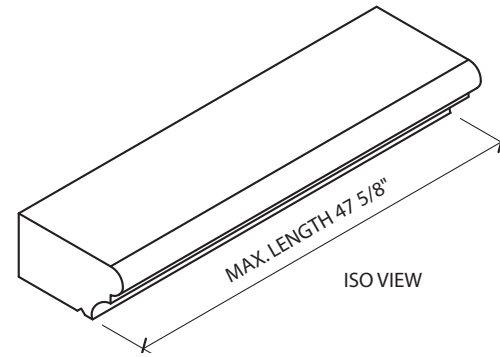


S-0908T



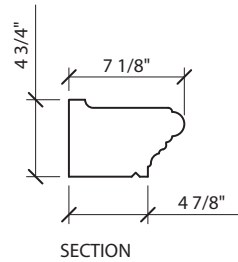
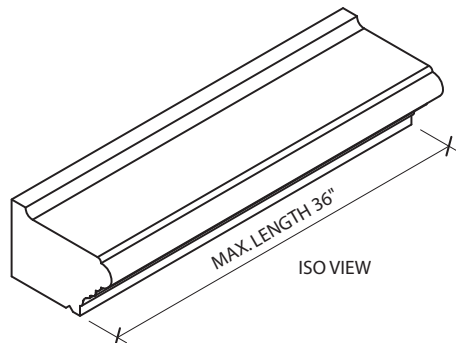
CAT. NO.	A	B	C	L	lbs/LF
S-0915	5 1/4	3	2	48	12
S-0902	4 7/8	3 5/8	4 7/8	40	22
SL-C23	6	3 5/8	3 1/4	47 5/8	19
S-0930	5	4	3	47 5/8	16
S-0939	4	4	3 3/4	47 5/8	52
S-0952	3 5/8	4 1/2	4 1/4	47 5/8	15
S-0926	5 3/4	4 5/8	3 1/4	50	20
S-0960	7 5/8	5	4	55 5/8	31
S-0961	8 1/2	5	4	47 5/8	34
S-A11	8 5/8	5	4 3/4	60 3/8	38

S-0910C

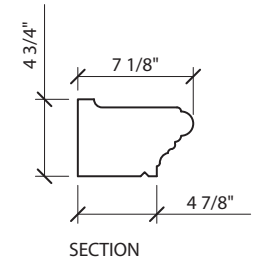
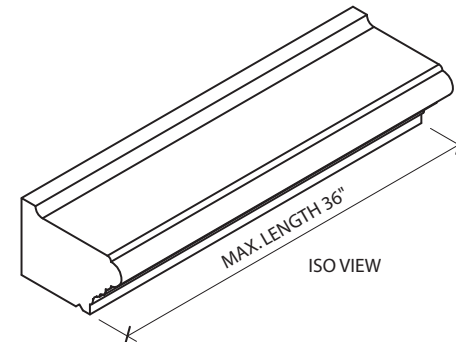


CAT. NO.	A	B	C	L	lbs/LF
S-0915	5 1/4	3	2	48	12
S-0902	4 7/8	3 5/8	4 7/8	40	22
SL-C23	6	3 5/8	3 1/4	47 5/8	19
S-0930	5	4	3	47 5/8	16
S-0939	4	4	3 3/4	47 5/8	52
S-0952	3 5/8	4 1/2	4 1/4	47 5/8	15
S-0926	5 3/4	4 5/8	3 1/4	50	20
S-0960	7 5/8	5	4	55 5/8	31
S-0961	8 1/2	5	4	47 5/8	34
S-A11	8 5/8	5	4 3/4	60 3/8	38

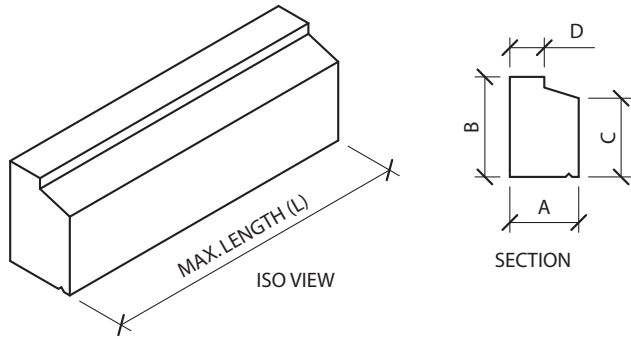
S-0909C



S-0909C

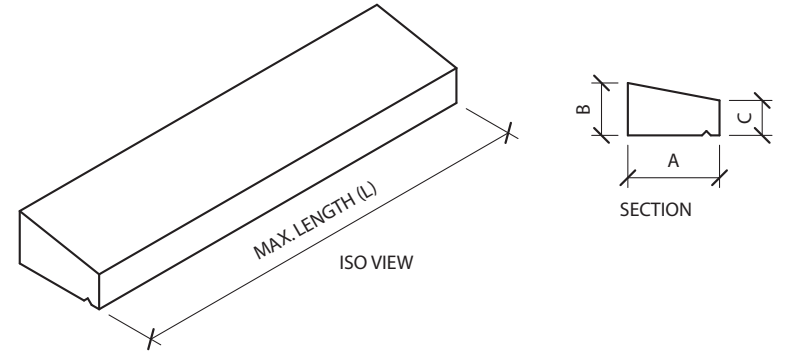


S-0912C

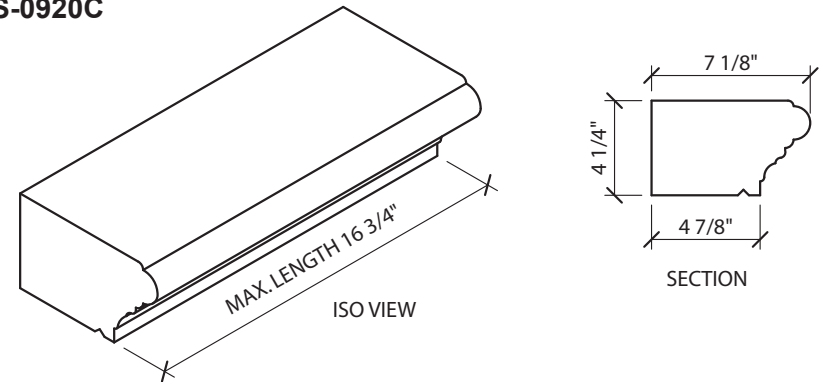


CAT. NO.	A	B	C	L	lbs/LF
S-0915	5 1/4	3	2	48	12
S-0902	4 7/8	3 5/8	4 7/8	40	22
SL-C23	6	3 5/8	3 1/4	47 5/8	19
S-0930	5	4	3	47 5/8	16
S-0939	4	4	3 3/4	47 5/8	52
S-0952	3 5/8	4 1/2	4 1/4	47 5/8	15
S-0926	5 3/4	4 5/8	3 1/4	50	20
S-0960	7 5/8	5	4	55 5/8	31
S-0961	8 1/2	5	4	47 5/8	34
S-A11	8 5/8	5	4 3/4	60 3/8	38

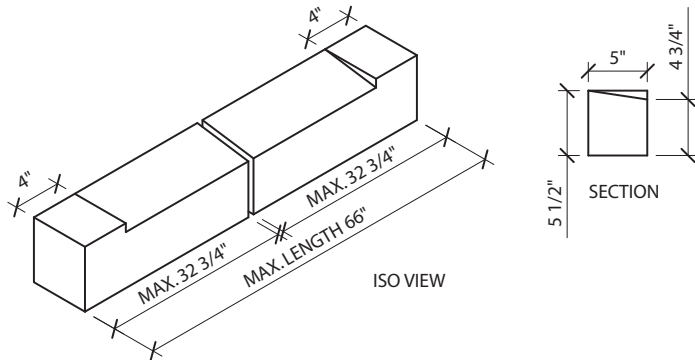
S-0915T



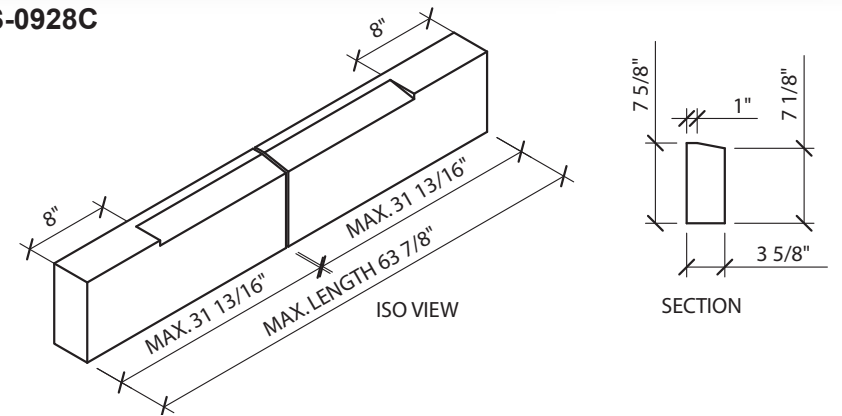
S-0920C



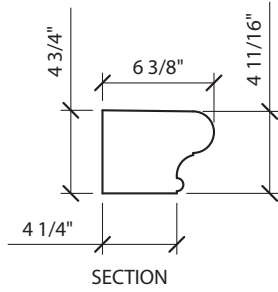
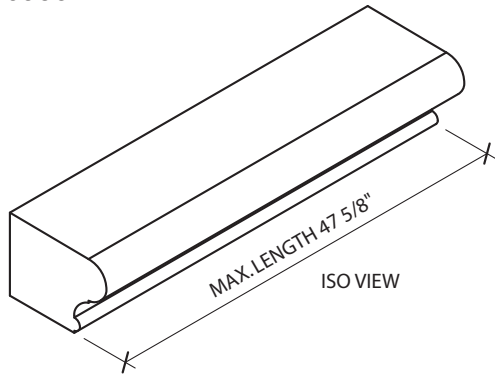
S-0913C



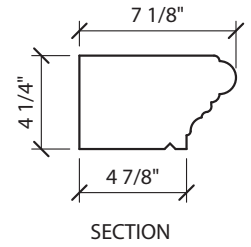
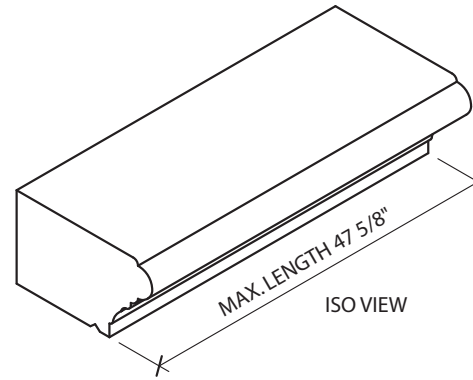
S-0928C



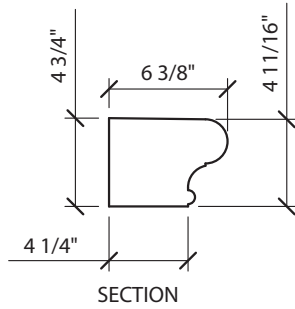
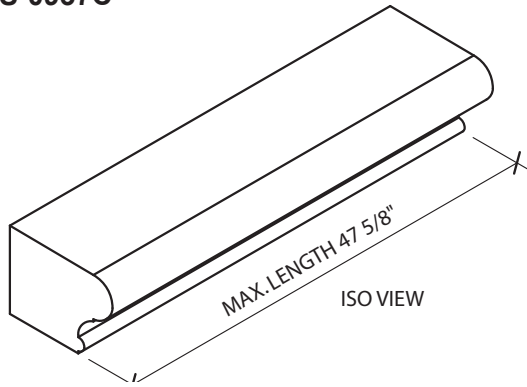
S-0936C



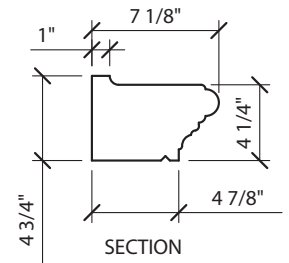
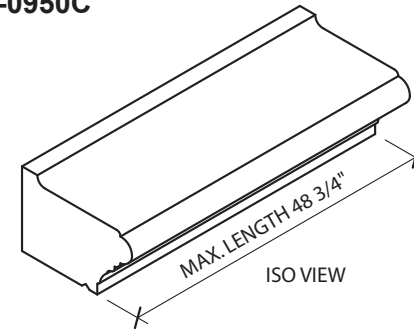
S-0946C



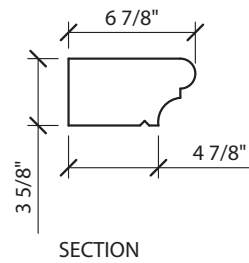
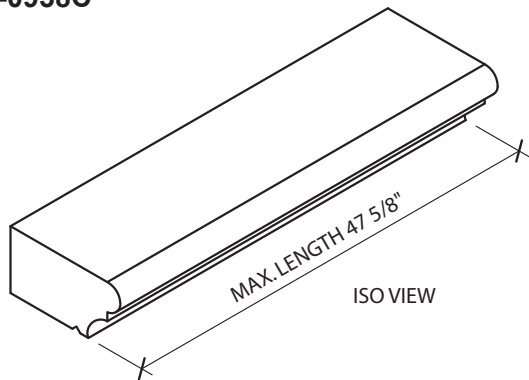
S-0937C



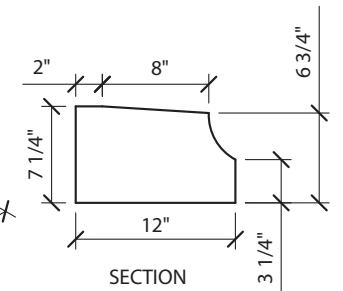
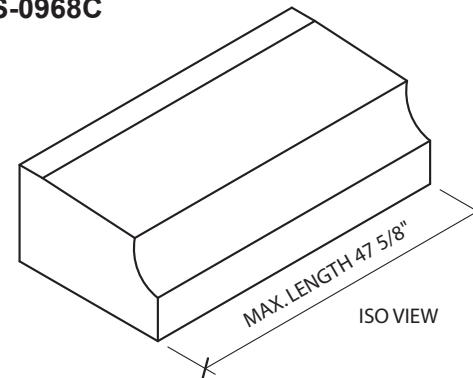
S-0950C



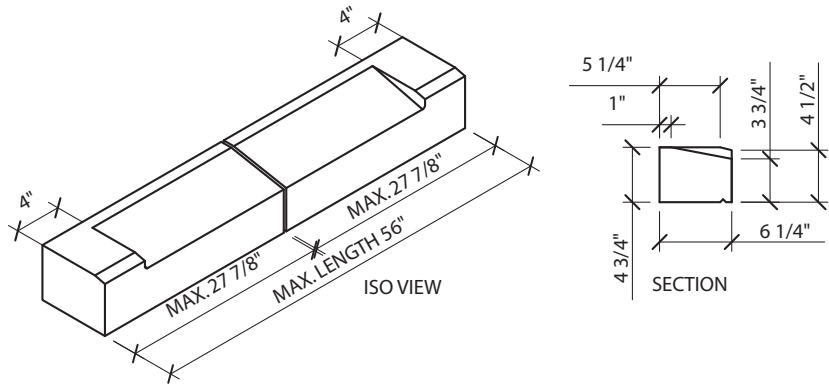
S-0938C



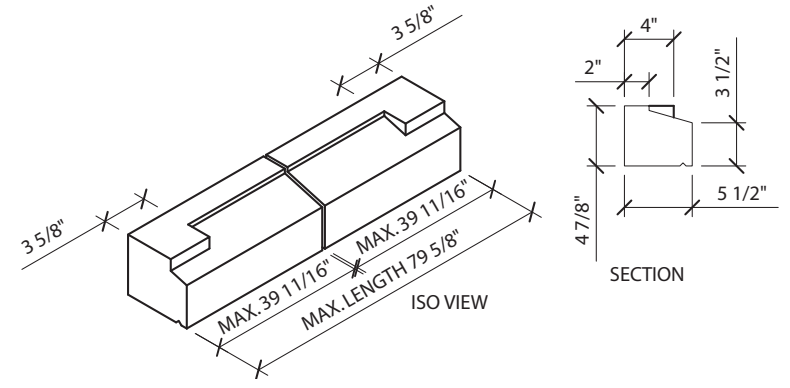
S-0968C



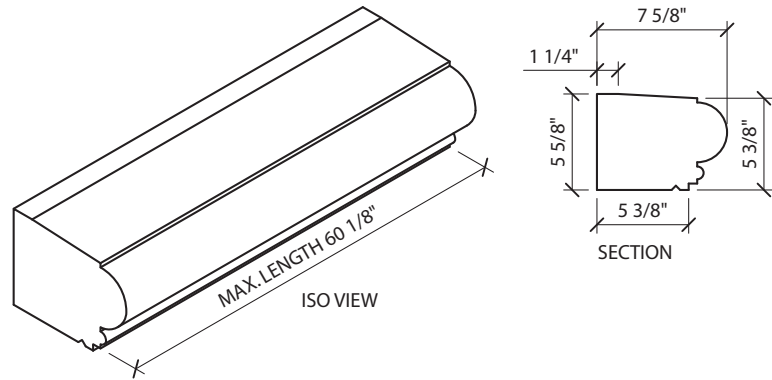
S-0985C



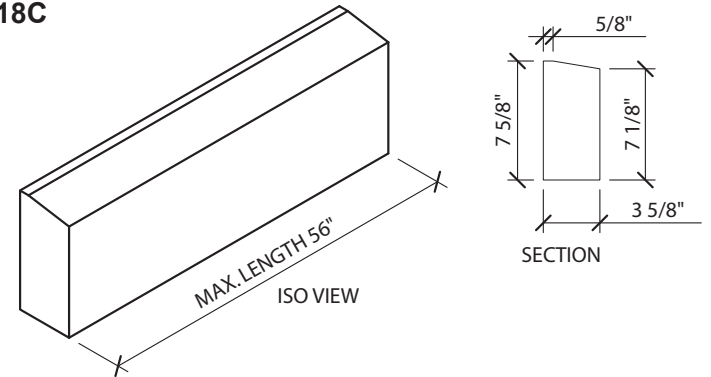
SL-B10C



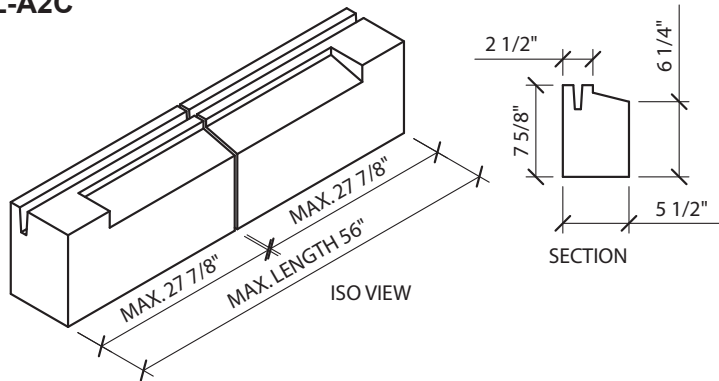
S-0992C



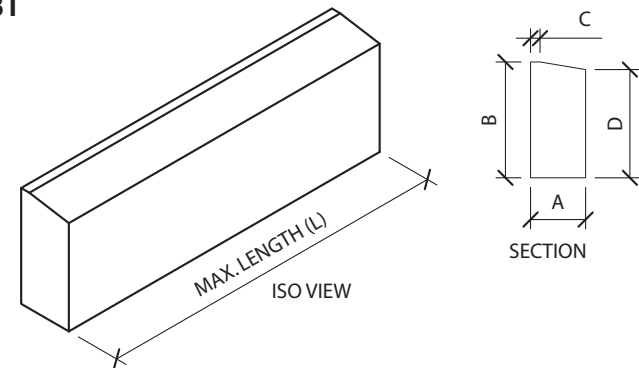
SL-B18C



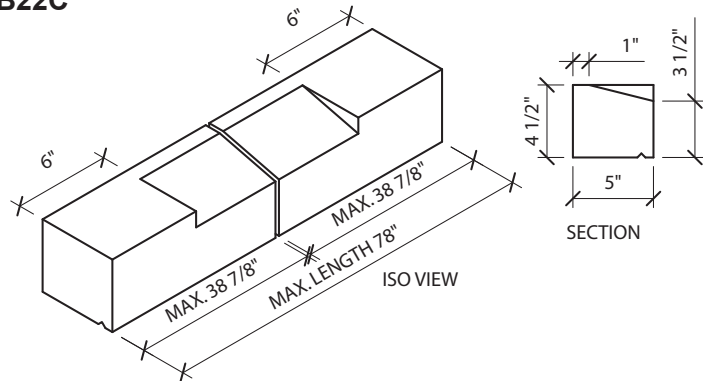
SL-A2C



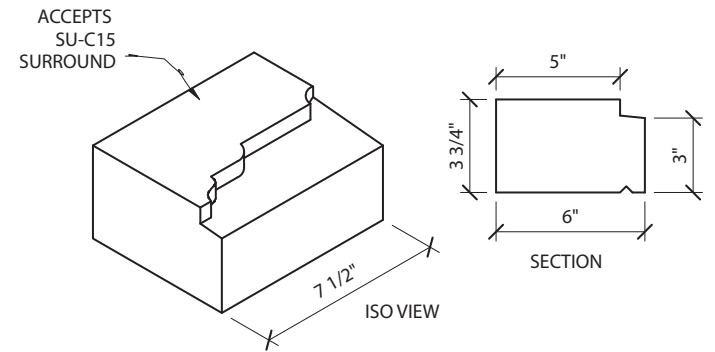
SL-B18T



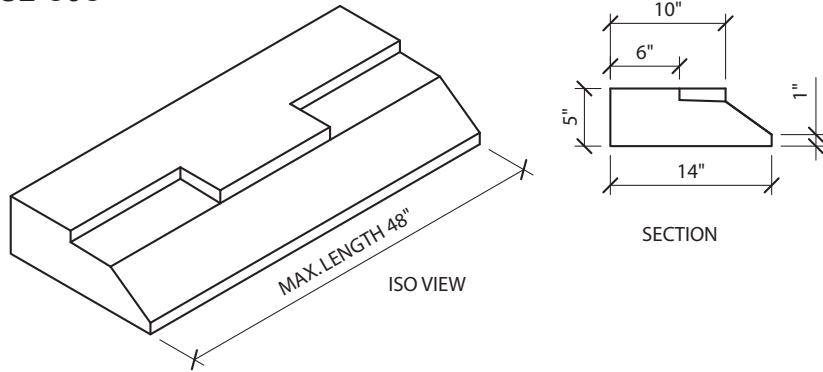
SL-B22C



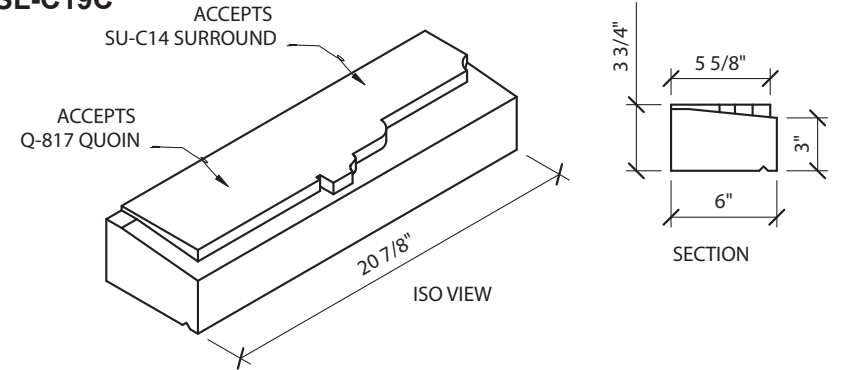
SL-C17C



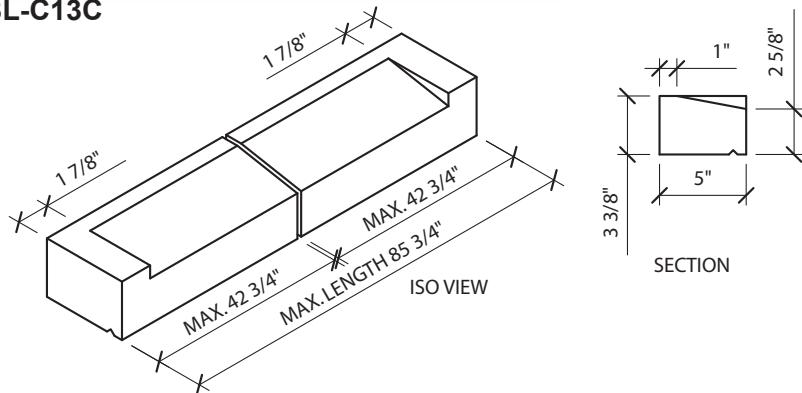
SL-C5C



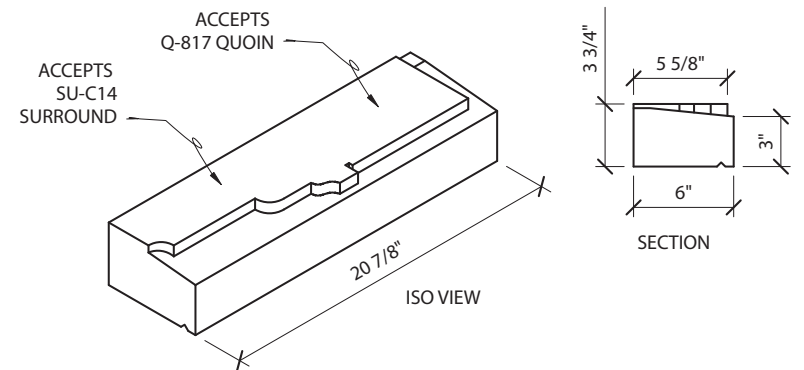
SL-C19C



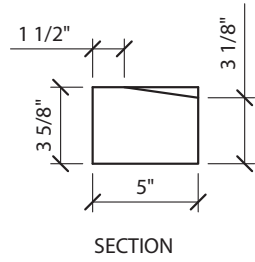
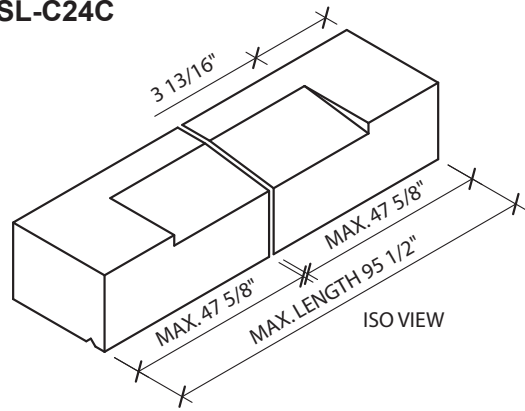
SL-C13C



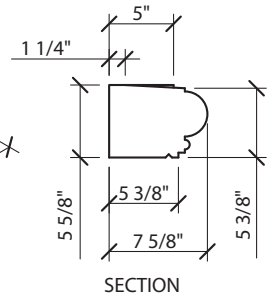
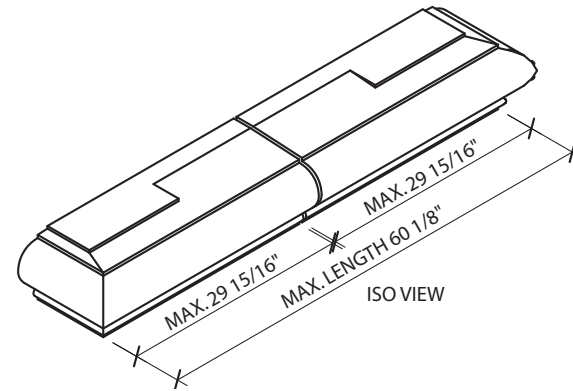
SL-C20C



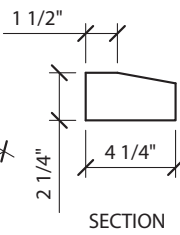
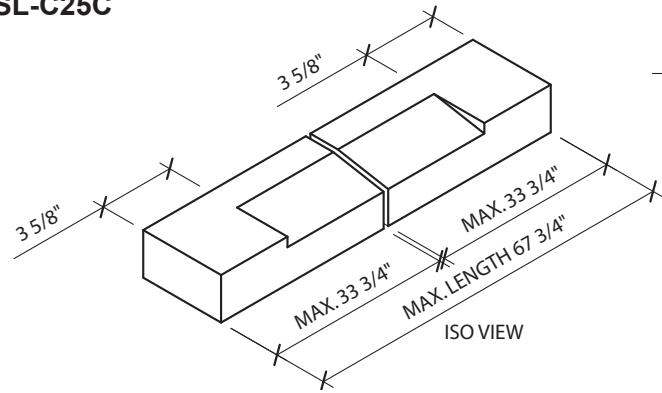
SL-C24C



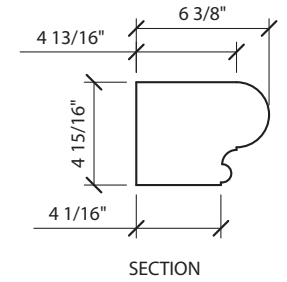
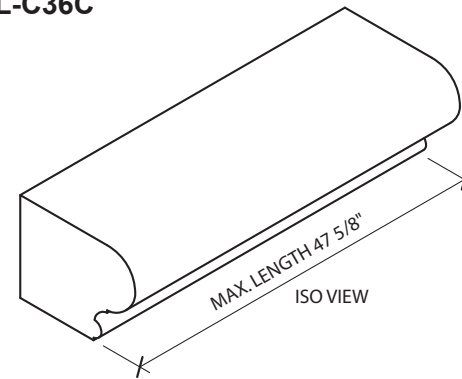
SL-C35C



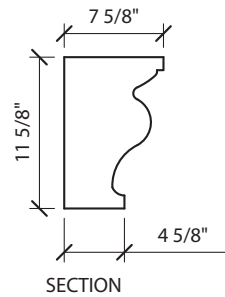
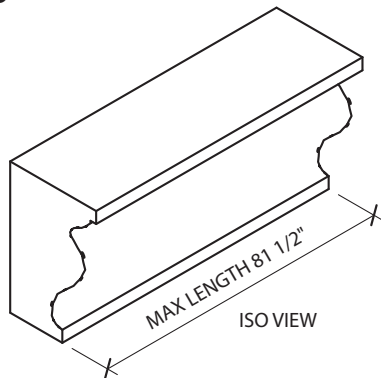
SL-C25C



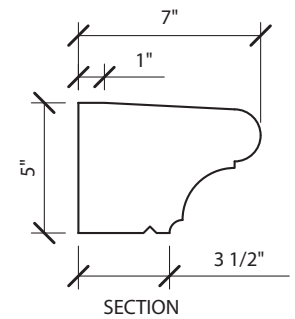
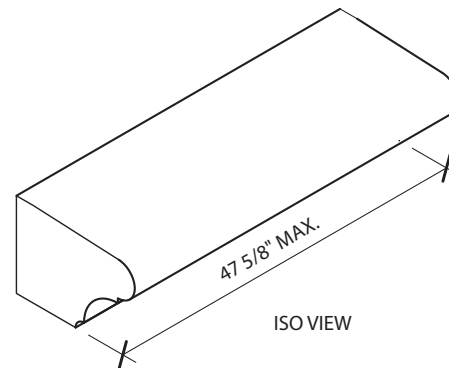
SL-C36C



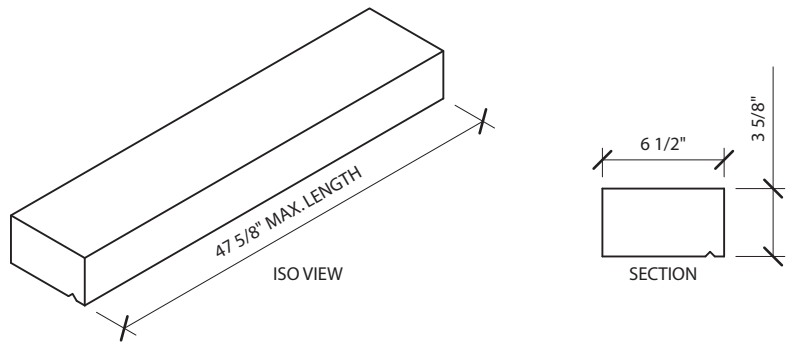
SL-C32C



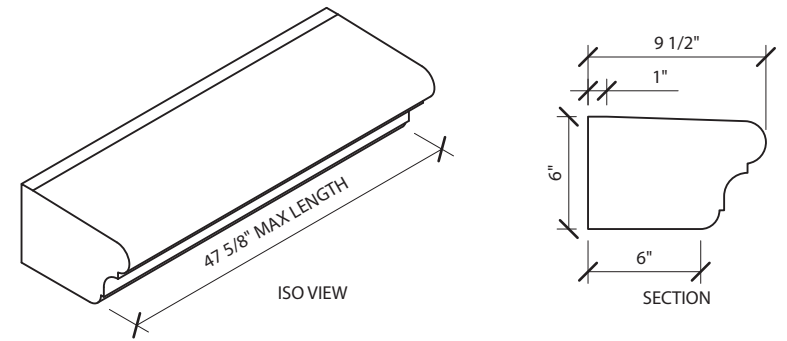
SL-D14C



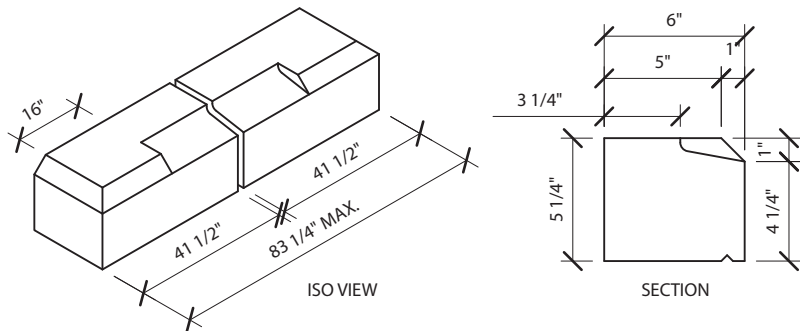
SL-D32C



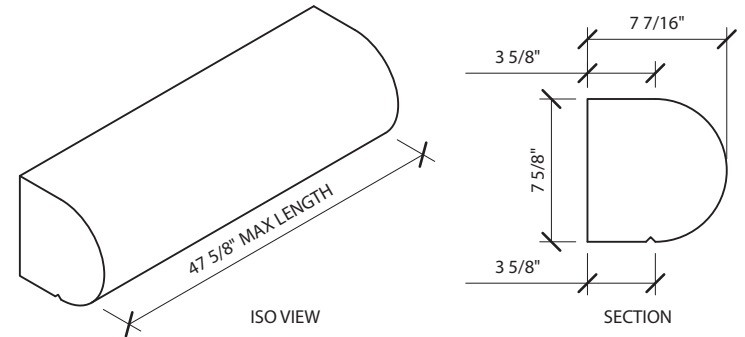
SL-E13C



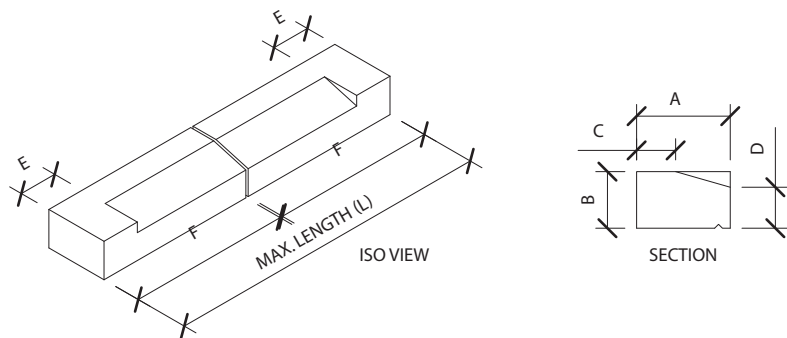
SL-E5C



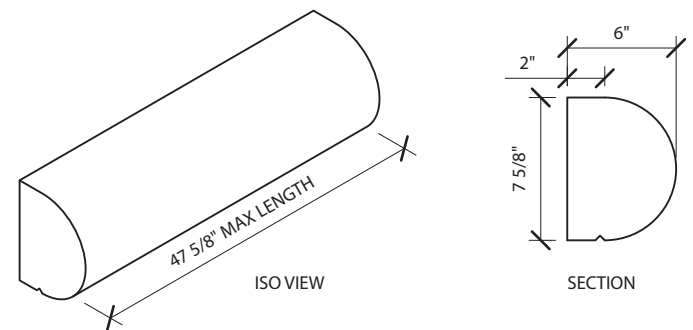
SL-E45C



SL-E11T



SL-E46C

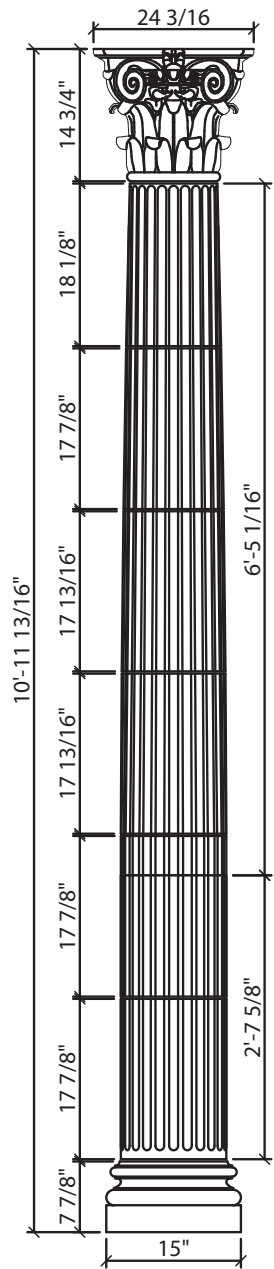




COLUMNS

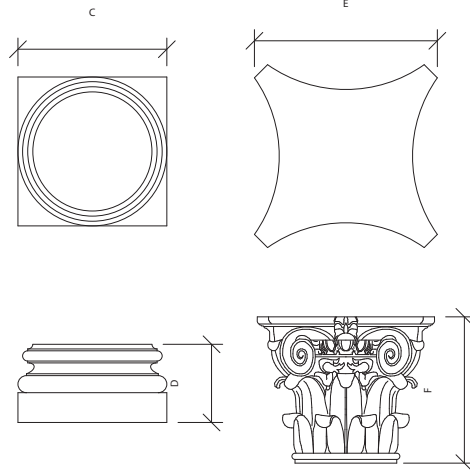


CORINTHIAN COLUMN

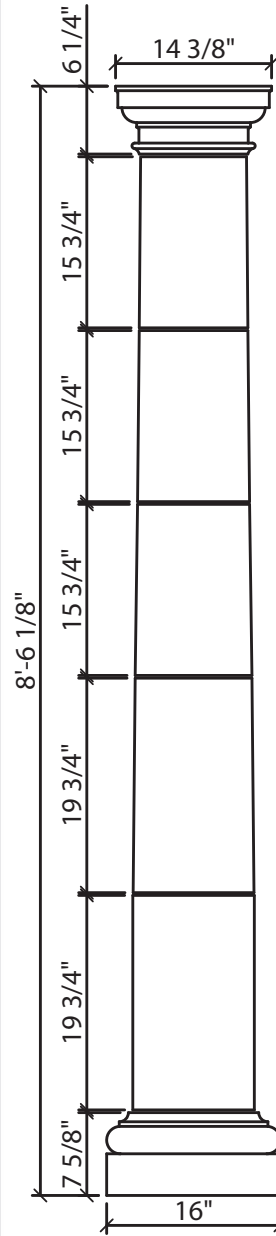


Bottom Diameter	Top Diameter	C	D	E	F
6	4 3/4	8	3 1/2	9 1/2	7
8	6 1/2	10 3/4	5 1/8	12 3/4	10 1/4
10	8 1/2	13 3/8	6 1/4	15	12
12	10	16 1/8	7 1/4	18 1/2	15 1/2
14	12	18 3/4	8 3/4	22	17
16	13 1/2	21 1/2	10 1/8	17	20
18	15	24 1/4	11 3/8	32 1/2	23
24	20	32 1/2	15 11/16	42	28 1/2
30	25	40 1/2	19 1/4	46 1/2	37 1/2

NOTE: Solid or Hollow Core drums (3" minimum wall thickness).

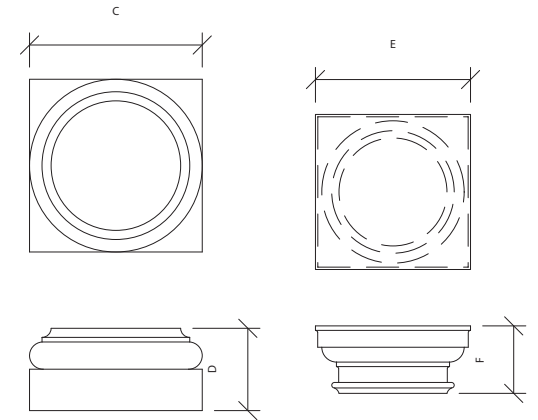


TUSCAN COLUMN

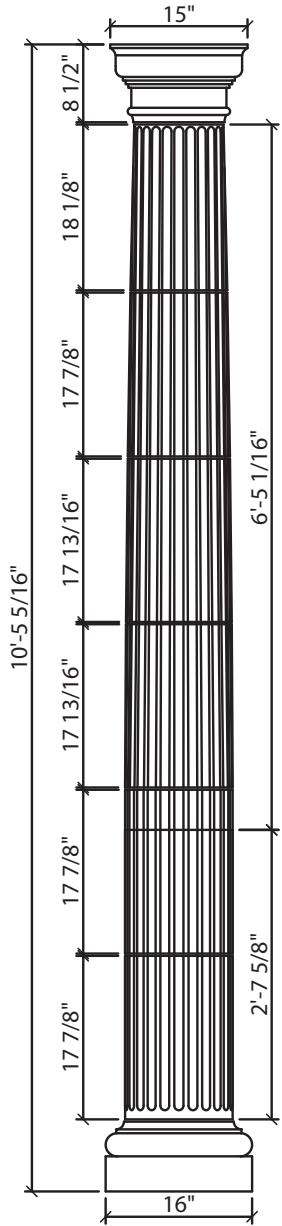


Bottom Diameter	Top Diameter	C	D	E	F
6	4 3/4	8	3 1/4	7 1/2	3 1/2
8	6 1/2	10 3/4	4 1/4	9 3/8	4 1/8
10	8 1/2	13 3/8	5 1/4	12 1/8	5 5/8
12	10	16 1/8	6	14 3/8	6
14	12	18 3/4	7 3/8	17 1/8	8
16	13 1/2	21 1/2	8 3/8	19 1/4	8 5/8
18	15	24 1/4	9 5/8	21 1/2	9 1/8
24	20	32 1/2	13 1/4	28 3/4	13 1/8
30	25	40 1/2	16 1/2	35 3/4	14 7/8

NOTE: Solid or Hollow Core drums (3" minimum wall thickness).



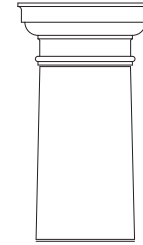
GREEK DORIC COLUMN



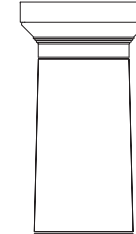
Bottom Diameter	Top Diameter	C	D	E	F
6	5	6	0	7 3/8	2 11/16
8	6 1/2	8	0	9 1/4	3 5/16
10	8 1/4	10	0	11 5/8	3 15/16
12	9 3/4	12	0	13 3/4	4 7/8
14	11 1/4	14	0	16	5 1/2
16	12 3/4	16	0	18 1/8	6
18	14 1/2	18	0	20 1/2	6 3/4
24	19 1/2	24	0	27 1/8	8 7/8

NOTE: Solid or Hollow Core drums (3" minimum wall thickness).

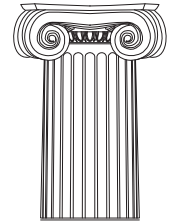
CAPITALS AND BASES



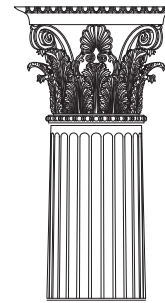
TUSCAN



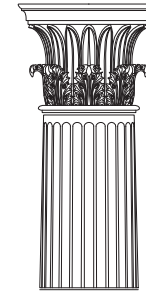
GREEK DORIC



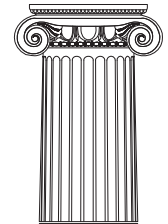
GREEK ANGULAR IONIC



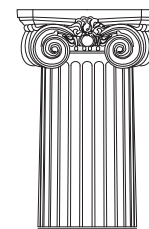
CORINTHIAN



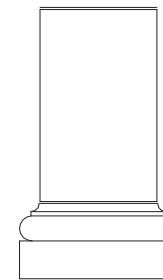
TEMPLE OF THE WINDS



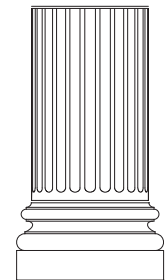
ROMAN IONIC



SCAMOZZI



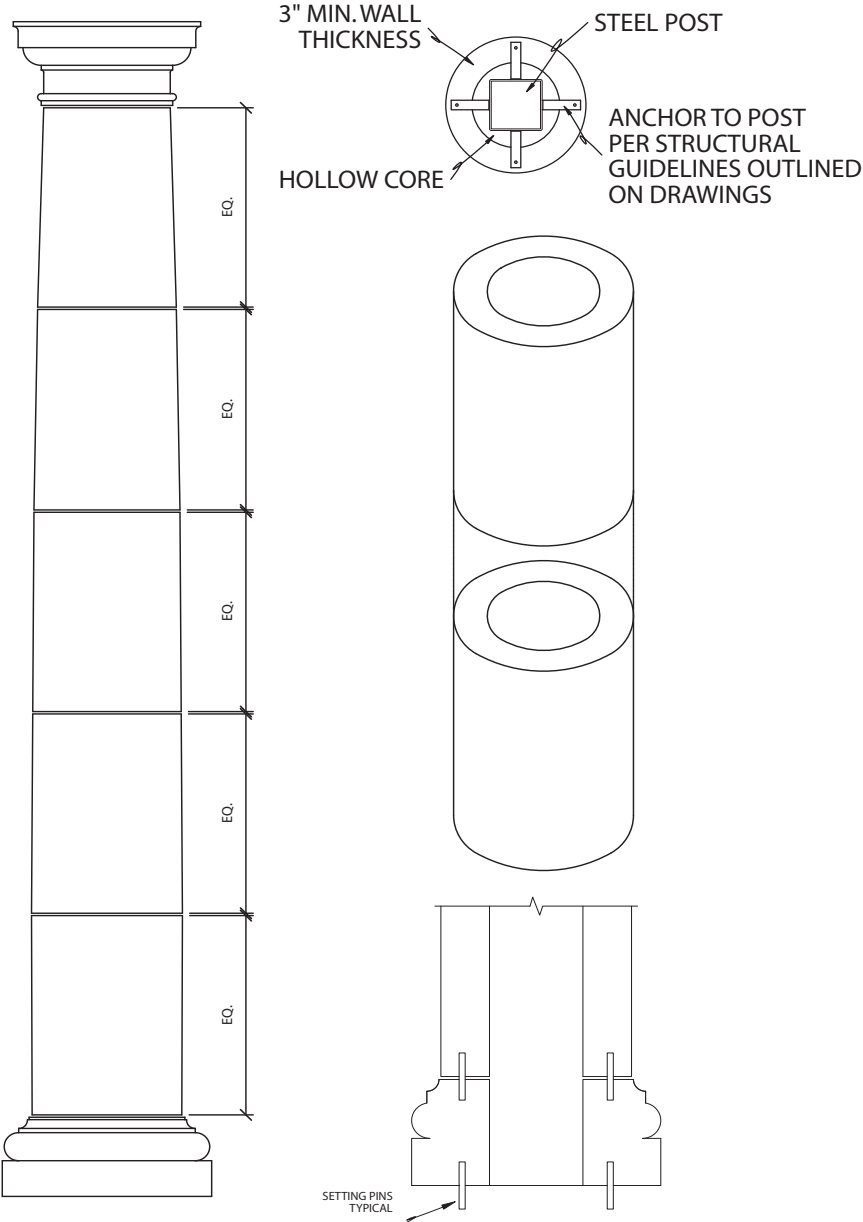
TUSCAN BASE



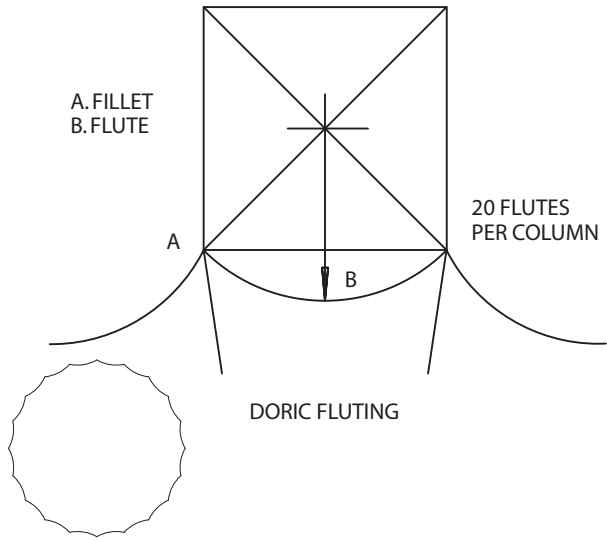
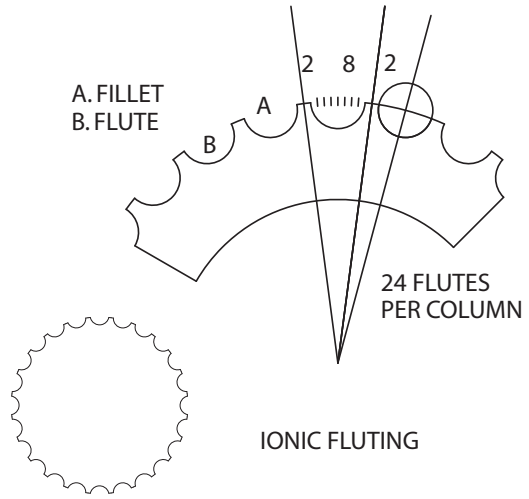
ATTIC BASE



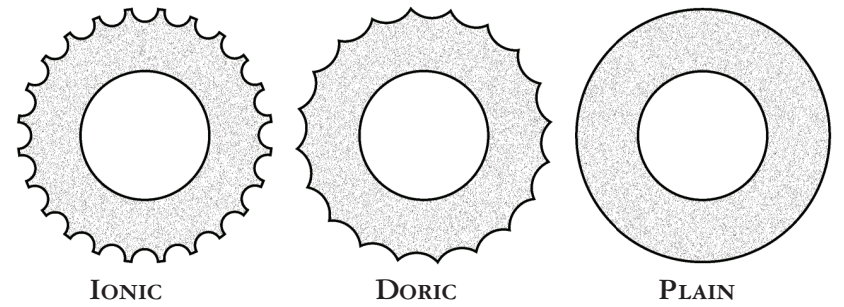
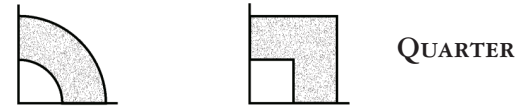
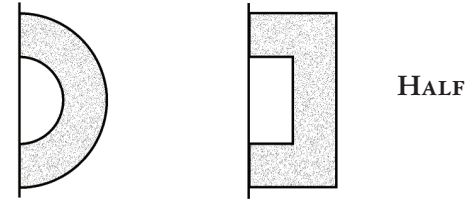
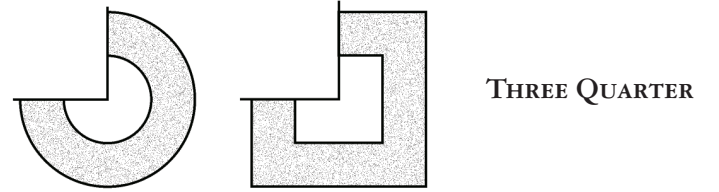
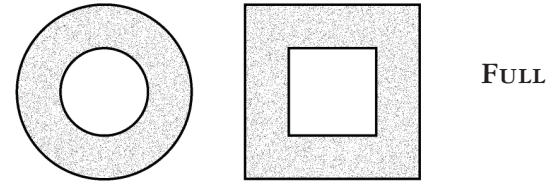
CAPITAL INSTALLATION



FLUTING STYLES



COLUMN PLANS

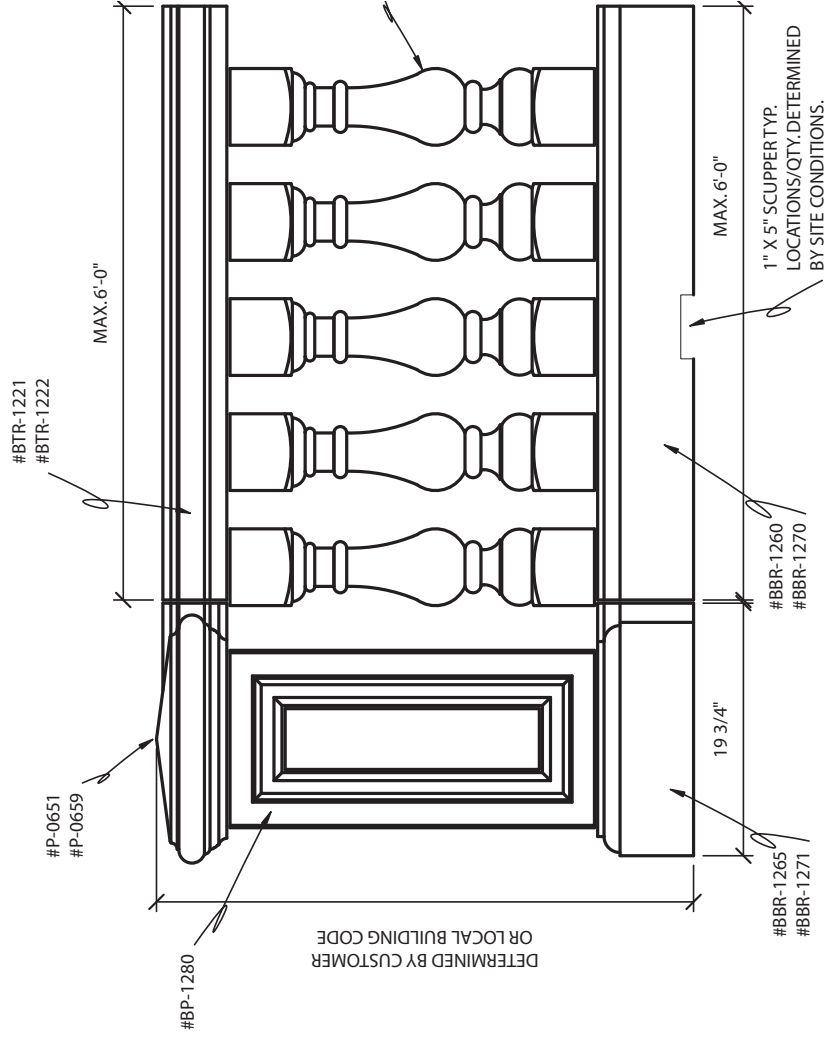




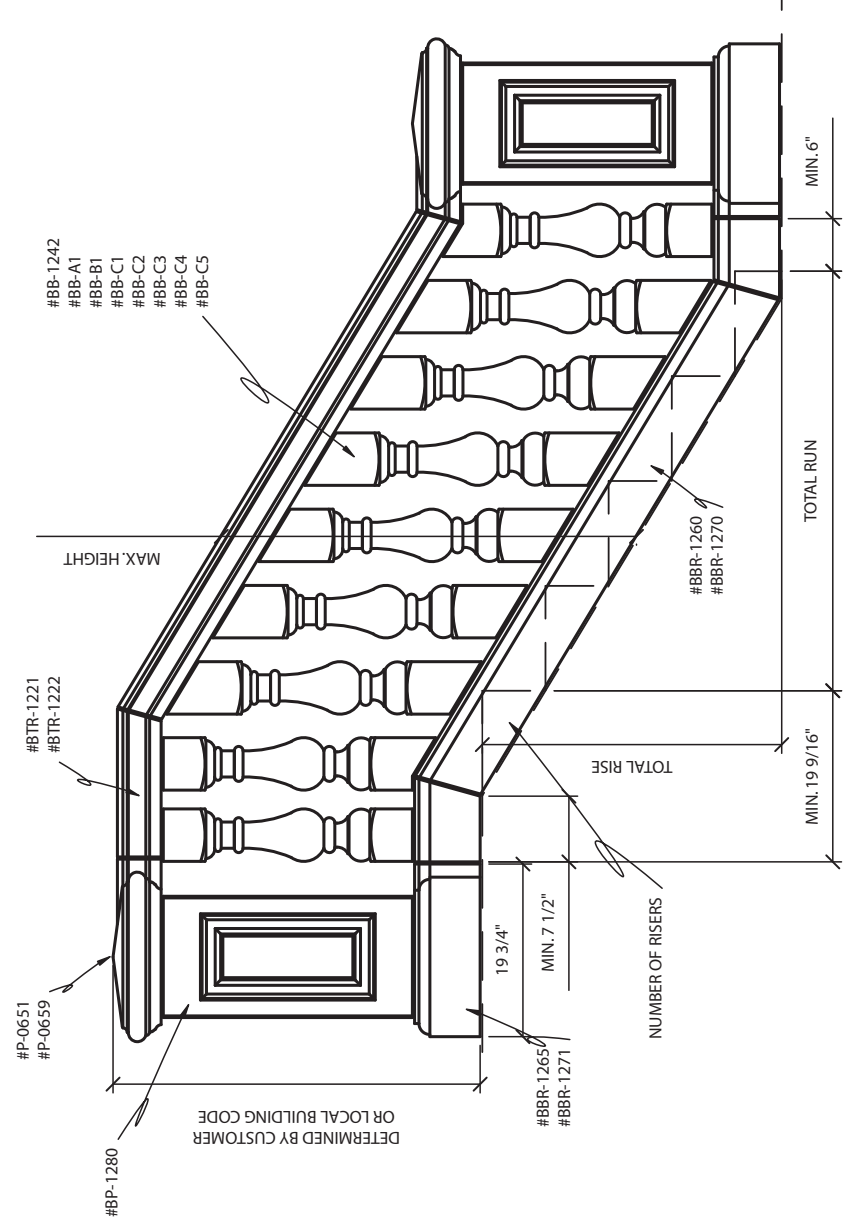
BALUSTRADE



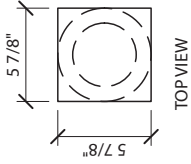
BALUSTRADE



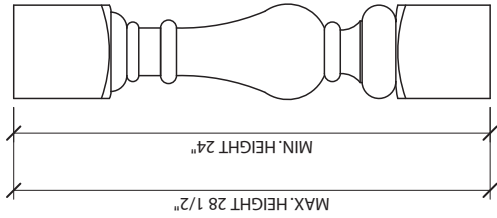
BALUSTRADE



BB-1242C

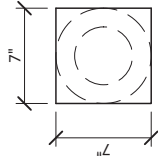


TOP VIEW

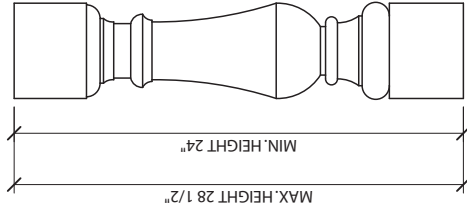


SIDE VIEW

BB-A1C

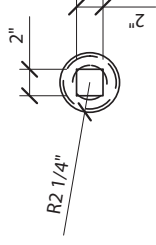


TOP VIEW

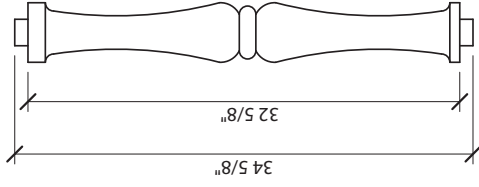


SIDE VIEW

BB-B1C

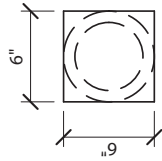


TOP VIEW

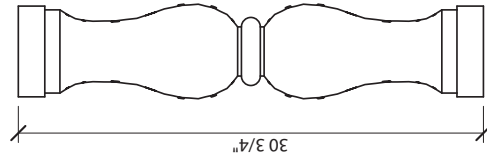


SIDE VIEW

BB-C1C

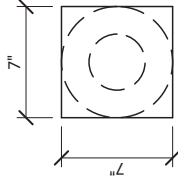


TOP VIEW

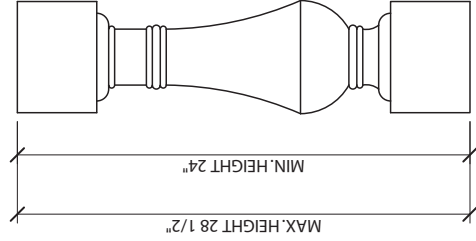


SIDE VIEW

BB-C2C

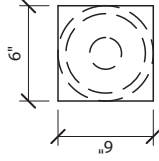


TOP VIEW

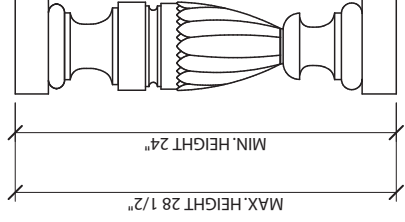


SIDE VIEW

BB-C5C



TOP VIEW



SIDE VIEW

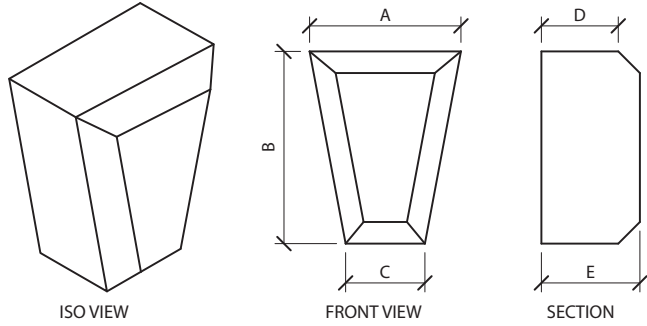




KEYSTONES

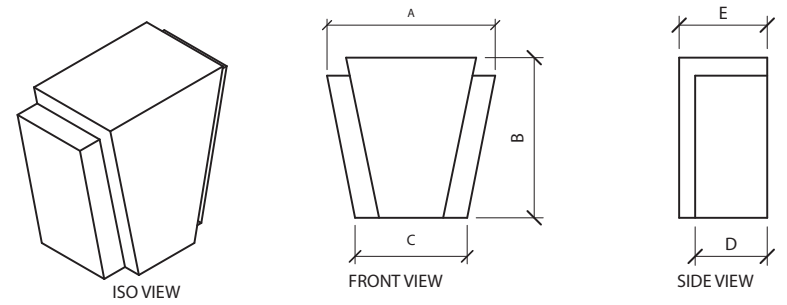


K-0400T



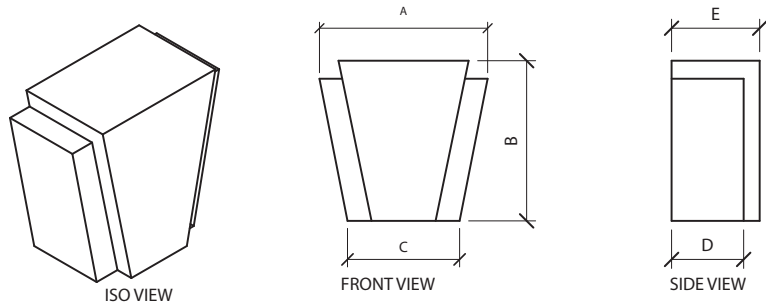
CAT. NO.	A	B	C	D	L	lbs/LF
K-0400	7 7/8	10	4 1/8	4	5 1/8	20
K-0401	4 5/8	6	2 1/4	4	4 5/8	8
K-0404	8 1/2	10	5 5/8	3 5/8	4 5/8	29
K-0405	9 7/8	12 3/4	5 1/8	3 5/8	5 1/8	37
K-0406	6	10 1/2	4	3 5/8	4 3/8	16
K-0408	6 1/4	8	3 1/4	3 5/8	4 5/8	13
K-0409	12	15 3/8	6	4	5 1/2	56
K-0412	4 5/8	5 1/8	2 1/4	3 5/8	4 1/8	5
K-0422	7 7/8	9	4 1/8	3 5/8	4 1/8	16
K-0423	9 7/8	12 3/4	5 1/8	3 5/8	4 1/8	29
K-0424	16	15 3/8	7 3/8	6 5/8	9	103
K-0425	16	15 3/8	7 3/8	3 5/8	4 5/8	63
K-0427	14	18	7	3 5/8	5 1/8	72
KY-E1	10 1/2	10 1/2	5 1/4	3 3/8	4 5/8	27
KY-F8	10	8	5	3 5/8	4 5/8	18
KY-G4	12	14	8	3 5/8	4 5/8	45

K-0402C

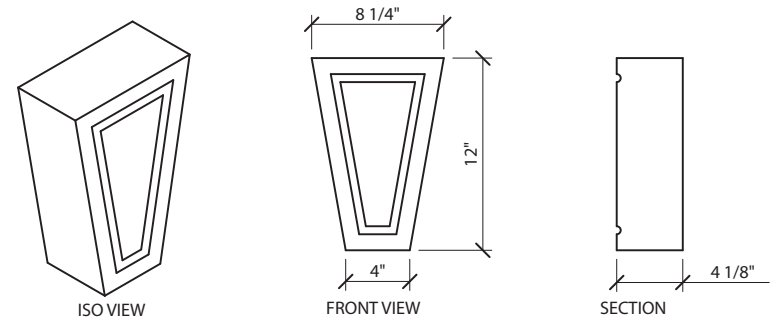


CAT. NO.	A	B	C	D	L	lbs/LF
K-0402	10 1/2	10	7	4 1/2	5 1/2	25
K-0411	12 1/4	10	8	4 1/2	5 1/2	42
K-0418	20 1/8	35 11/16	13 7/8	3 5/8	4 5/8	132
K-0419	13 15/16	12	9 1/8	4 1/2	5 1/2	45
K-0420	8 1/2	8	5 5/8	3 1/2	4 1/2	17
K-0430	6 3/8	6	4 3/16	4 1/2	5 1/2	12
K-0433	16 7/16	20 1/2	14 5/8	4	6 3/4	90
K-B1	13 5/16	12	9 1/8	8 1/8	9 1/8	86
KY-E2	11 3/4	16 1/4	8	4 6/8	5 7/8	60

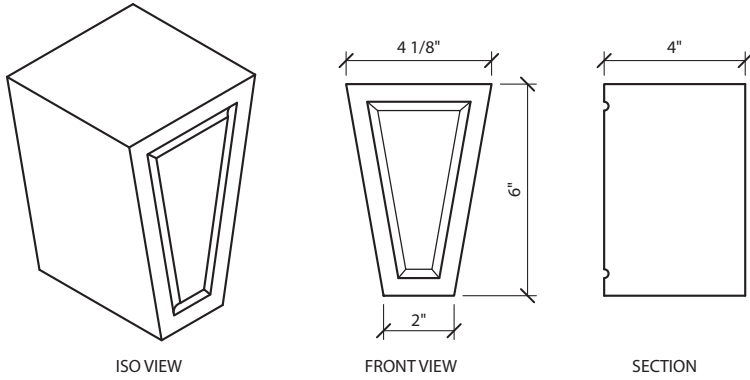
K-0402T



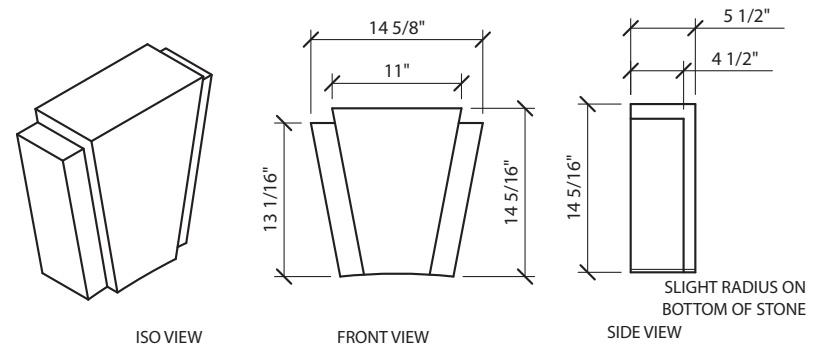
K-0403C



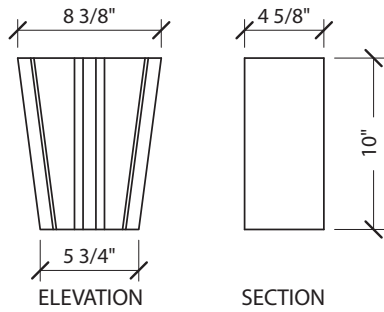
K-0407C



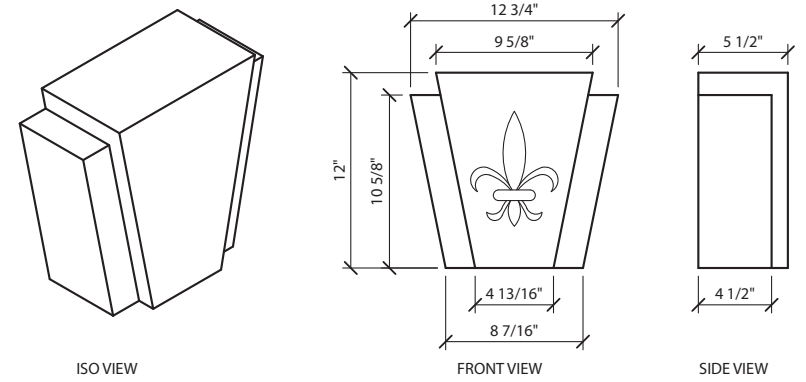
K-0414C



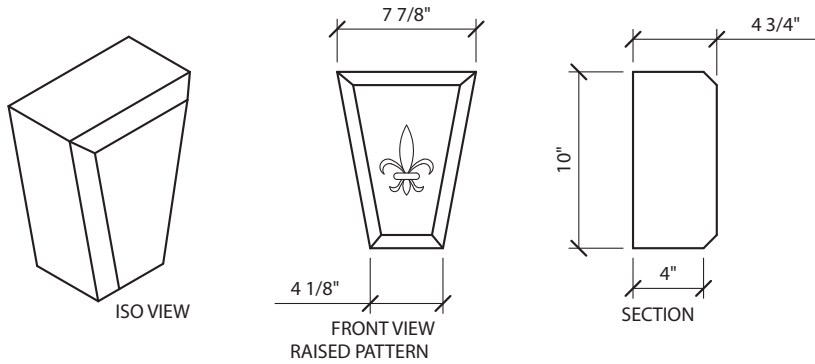
K-0410C



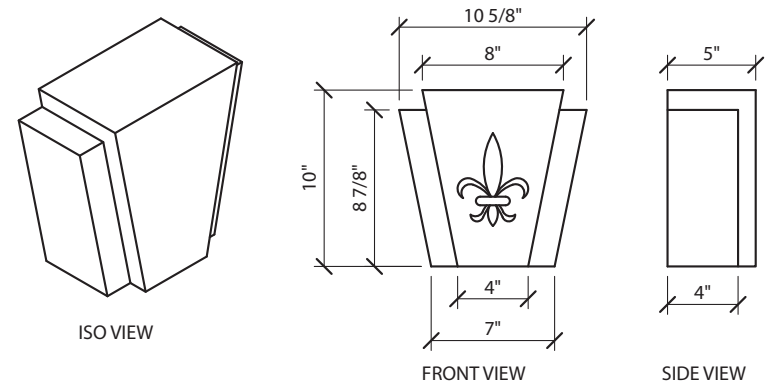
K-0415C



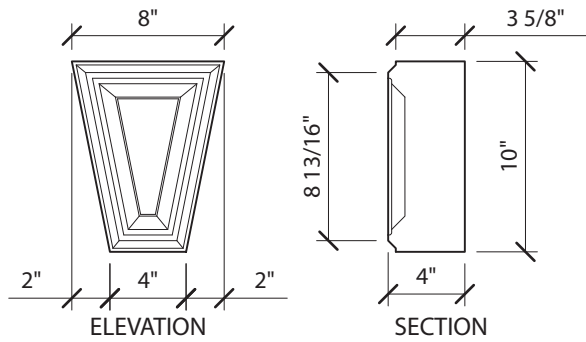
K-0413C



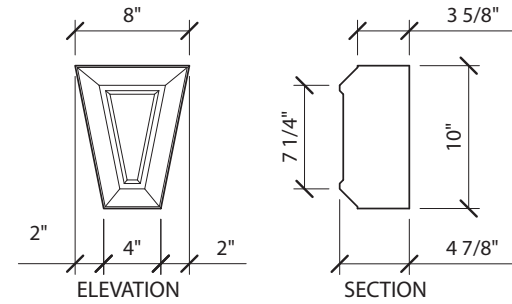
K-0416C



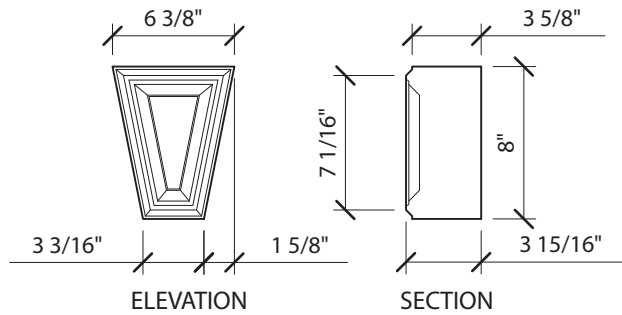
KY-F1C



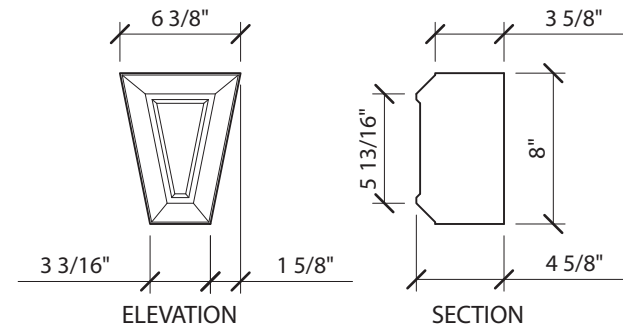
KY-F4C



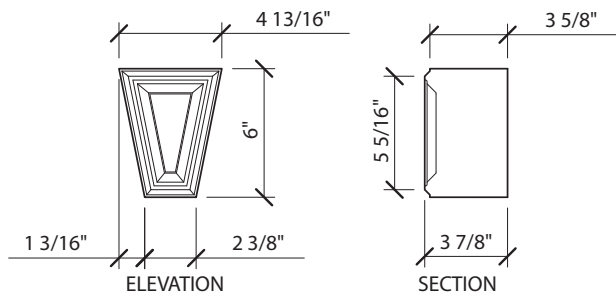
KY-F2C



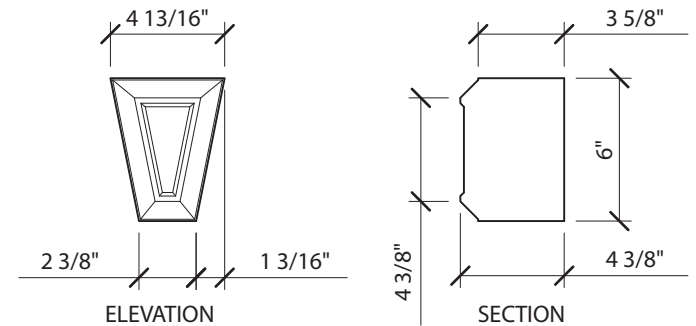
KY-F5C



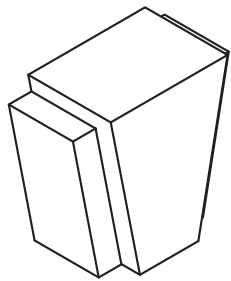
KY-F3C



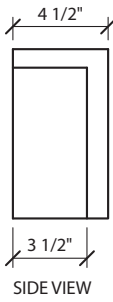
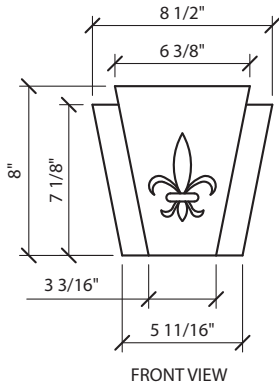
KY-F6C



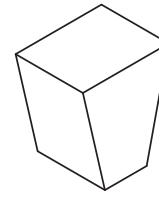
K-0417C



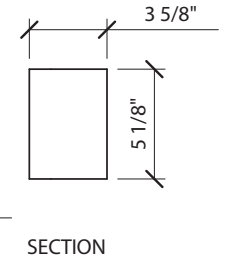
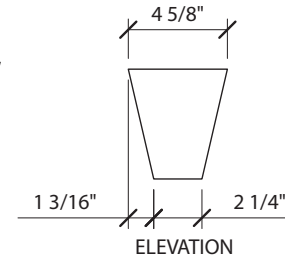
ISO VIEW



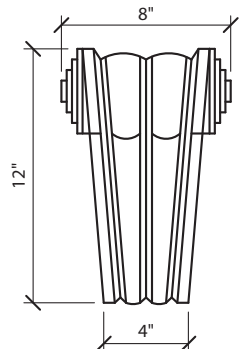
KY-D2C



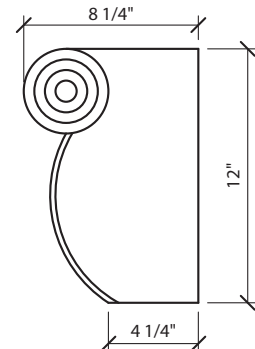
ISO VIEW



K-0421C

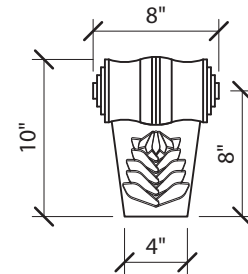


FRONT VIEW

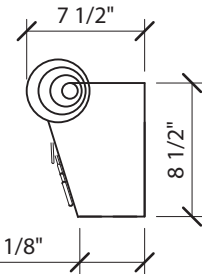


SIDE VIEW

KY-E3C

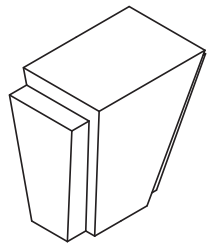


ELEVATION

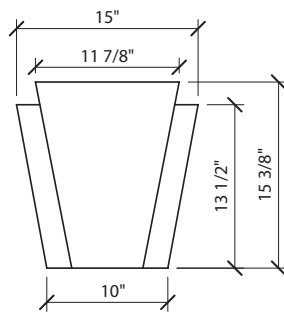


SIDE VIEW

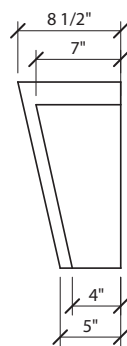
K-0426C



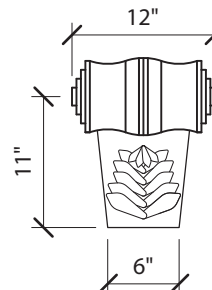
ISO VIEW



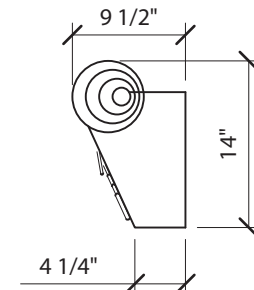
ELEVATION



KY-E4C



ELEVATION



SECTION

